

PROJECT NAME: _____

LOCATION: _____

SPECIFIER ITEM NO. _____ **QTY:** _____

ENCORE PART NO. _____

Encore[®] Deck Mount Swivel Arm
 Pre-Rinse Assembly

KL50-5xxx-xx Series

KL50-5026-12	12" Swivel Arm, 26" Riser, Support Bracket Optional
KL50-5026-18	18" Swivel Arm, 26" Riser, Support Bracket Optional
KL50-5032-12	12" Swivel Arm, 32" Riser, Support Bracket Optional
KL50-5032-18	18" Swivel Arm, 32" Riser, Support Bracket Optional
KL50-5526-12	12" Swivel Arm, 26" Riser, Support Bracket Standard
KL50-5526-18	18" Swivel Arm, 26" Riser, Support Bracket Standard
KL50-5532-12	12" Swivel Arm, 32" Riser, Support Bracket Standard
KL50-5532-18	18" Swivel Arm, 32" Riser, Support Bracket Standard



Approximate shipping weight - 13 lb
 Warranty - 2 years parts

Heavy duty pre-rinse assembly designed to withstand the demands of commercial operations.

Low-Flow Spray Valve

- 1.6gpm Flat Spray
- Spray head hook holds spray head away from work area when not in use
- Heat resistant, non-marring, impact resistant bumper will not fatigue under extreme operating temperatures

Encore Premium Hose Feature

- 3-ply nylon reinforced Santoprene[®] inner hose provides maximum durability
- Interlocking helical coils of stainless steel outer hose shroud protect inner hose
- Patented stainless steel strain relief spring transfers and distributes load stress to significantly improve hose life
- High pressure hydraulic fittings on hose ends tested to 400psi
- Washerless design incorporates temperature resistant O-rings to provide leak-proof seal on all hose assemblies and hose grips

Kool Grip[™] Hose Grip

- Reduces heat transfer to the hand; stays up to 30 degrees cooler than competitors' grips
- Ergonomic spray handle fits comfortably in even small hands and is easy to use

SANIGUARD[®] Product Protection

- Permanently incorporated on all touch points of Encore plumbing fixtures
- Inorganic, silver ion technology inhibits growth of common bacteria, yeasts, mold and fungi, minimizes cross-contamination

SPECIFICATIONS:

Deck Mount Pre-Rinse Assembly to be Encore KL50 Series in the following configuration:

___	KL50-5026-12	12" Swivel Arm, 26" Riser, Support Bracket Optional
___	KL50-5026-18	18" Swivel Arm, 26" Riser, Support Bracket Optional
___	KL50-5032-12	12" Swivel Arm, 32" Riser, Support Bracket Optional
___	KL50-5032-18	18" Swivel Arm, 32" Riser, Support Bracket Optional
___	KL50-5526-12	12" Swivel Arm, 26" Riser, Support Bracket Standard
___	KL50-5526-18	18" Swivel Arm, 26" Riser, Support Bracket Standard
___	KL50-5532-12	12" Swivel Arm, 32" Riser, Support Bracket Standard
___	KL50-5532-18	18" Swivel Arm, 32" Riser, Support Bracket Standard

Pre-rinse faucet body to be constructed of polished chrome plated brass with total lead content less than 0.25% by weighted average. Pre-rinse hose to be constructed of 3-ply nylon reinforced Santoprene[®] permanently secured with high pressure hydraulic fittings pressure tested to 400 psi. Hose to be of washerless, leak-proof design, protected by interlocking helical stainless steel coils for maximum protection and flexibility. Patented stainless steel strain relief spring transfers load stress. Heavy-duty ergonomic gooseneck spring ensures proper hose position. A patented wall bracket with compression fitting is provided to facilitate installation and give 360° of support. Heavy gauge swivel arm shall be mated to a solid forged swivel elbow. Heavy duty swivel arm support allows full swing while providing additional support when pre-rinse is exposed to severe field use. Riser to include spray head hook to hold spray head away from work area when not in use. Spray head to be furnished with 1.6gpm* Water Saver Spray. Spray assembly to be equipped with Kool Grip[™] handle to reduce transfer of heat to hand. All touch points to be permanently incorporated with SANIGUARD[®]. Color coded temperature indexes shall meet international standards.

*All flow rates are @ 60psi

COMPLIES WITH:
 THE FEDERAL "REDUCTION OF LEAD
 IN DRINKING WATER ACT" -
 2011 - US SENATE BILL NO. S.3874
 NSF/ANSI 61/9, ANNEX G

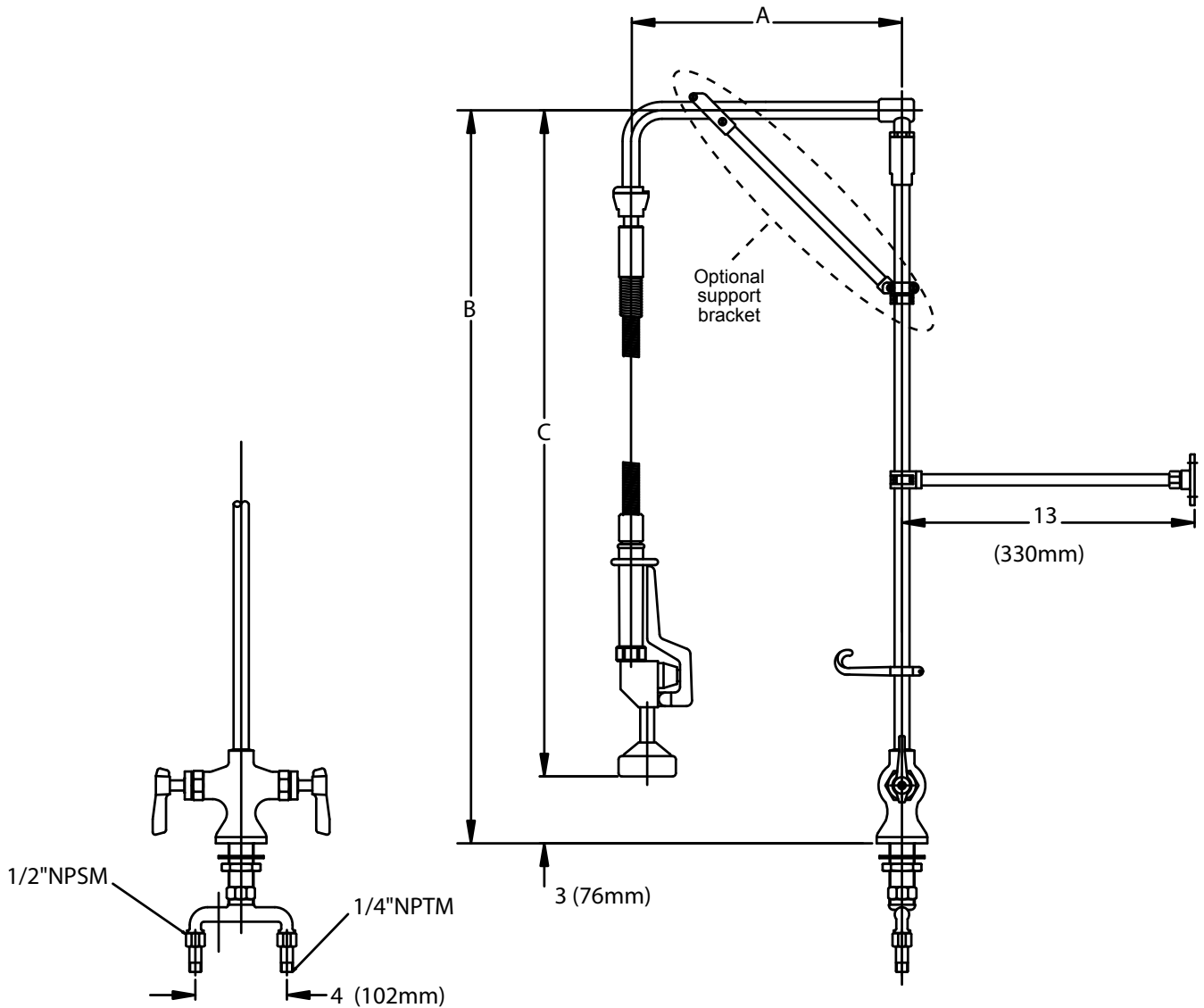


KL50-5xxx-xx Series

Deck Mount Swivel Arm Pre-Rinse Assembly

PREMIUM PLUMBING PRODUCTS
Encore[®]

1890 Swarthmore Avenue, PO Box 2020, Lakewood, NJ 08701
 Phone: 800-526-3694, 732-363-4700, Fax: 732-364-8110
www.encoreplumbing.com • www.componenthardware.com



Model No.	A	B	C
KL50-5026-12	12" (305mm)	32-5/8" (829mm)	29-5/8" (752mm)
KL50-5026-18	18" (457mm)	38-5/8" (981mm)	35-5/8" (905mm)
KL50-5032-12	12" (305mm)	64-7/8" (1648mm)	29-5/8" (752mm)
KL50-5032-18	18" (457mm)	70-7/8" (1800mm)	35-5/8" (905mm)
KL50-5526-12	12" (305mm)	32-5/8" (829mm)	29-5/8" (752mm)
KL50-5526-18	18" (457mm)	38-5/8" (981mm)	35-5/8" (905mm)
KL50-5532-12	12" (305mm)	64-7/8" (1648mm)	29-5/8" (752mm)
KL50-5532-18	18" (457mm)	70-7/8" (1800mm)	35-5/8" (905mm)

1-1/8" (29mm) hole for deck is recommended to accommodate 1/2" supply nipples.
 1/2" NPS Male Inlets
 Operating Temperature: 40-180°F (5-83°C)
 Operating Pressure: 15-125psi