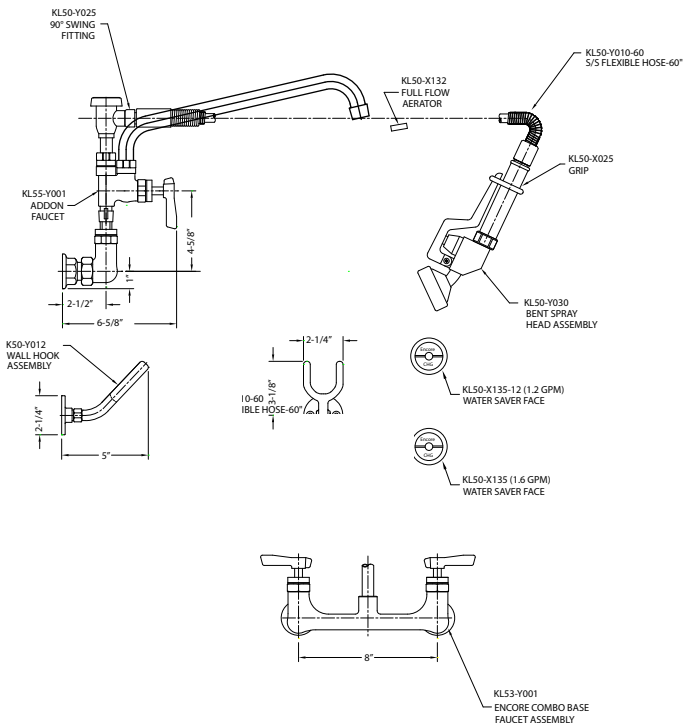
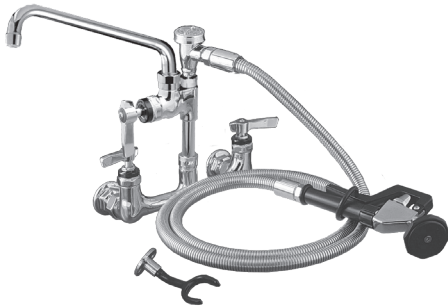


**PROJECT NAME:** \_\_\_\_\_  
**LOCATION:** \_\_\_\_\_  
**SPECIFIER ITEM NO.** \_\_\_\_\_ **QTY:** \_\_\_\_\_  
**ENCORE PART NO.** \_\_\_\_\_

Encore<sup>®</sup> Pot Filler with Pre-Rinse Spray Valve  
**KL53-2000-SP2**



Dimensions shown in inches (mm) are for reference only and are subject to change.

1-1/8" (29mm) holes for backsplash are recommended to accommodate 1/2" supply nipples.

1/2" NPT Female Inlets

Operating Temperature: 40-180°F (5-83°C)

Operating Pressure: 15-125psi

Approximate shipping weight - 8 lbs

Warranty - 2 years parts

Solid heavy duty cast body is specification and commercial quality

**Commercial Quality Features**

- Add-on faucet with 12" (305mm) spout design
- ADA-compliant lever handles
- 60" flexible S/S hose with Kool Grip™ handle

**SANIGUARD<sup>®</sup> Product Protection**

- Permanently incorporated on all touch points of Encore plumbing fixtures
- Inorganic, silver ion technology inhibits growth of common bacteria, yeasts, mold and fungi, minimizes cross-contamination

**SPECIFICATIONS:**

Wall Mount Faucet to be Encore KL53-2000-SP2 in the following configuration:

Faucet body to be constructed of polished chrome plated brass with total lead content less than 0.25% by weighted average. Lever handles to be incorporated with SANIGUARD treatment. Inlets to be 8" on center. Valves to be 1/4-turn with integral check valve to prevent cross-flow and back-flow. Spout to be 12" add-on faucet. Hose to be 60" flexible stainless steel with Kool Grip™ handle and vacuum breaker. Hold open ring and hose wall hook to be included.

**COMPLIES WITH:**  
 ASME A112.18.1-2005  
 CSA B125.1-05  
 NSF/ANSI 61/9, ANNEX G  
 SECTION 116875 OF THE  
 CALIFORNIA HEALTH & SAFETY CODE  
 (COMMONLY KNOWN AS AB1953)  
 VERMONT ACT 193  
 UNIFORM PLUMBING CODE

