

Encore<sup>®</sup> Wall Mount Utility Spray Assembly  
with Vacuum Breaker and Mounting Kit

**KL53-2000-SP7**



*Dimensions shown in inches (mm) are for reference only  
and are subject to change.*

1-1/8" (29mm) holes for wall are recommended to  
accommodate 1/2" supply nipples.

1/2" NPT female inlets

Operating Temperature: 40-180°F (5-83°C)

Operating Pressure: 15-125psi

Approximate shipping weight - 5 lbs

Warranty - 2 years parts

Solid heavy duty cast body is specification and commercial quality

**Commercial Quality Features**

- 3.3gpm spray face
- ADA-compliant lever handles
- 72" flexible S/S hose with Kool Grip™ handle

**SANIGUARD<sup>®</sup> Product Protection**

- Permanently incorporated on all touch points of Encore plumbing fixtures
- Inorganic, silver ion technology inhibits growth of common bacteria, yeasts, mold and fungi, minimizes cross-contamination

**SPECIFICATIONS:**

Low Lead Wall Mount Utility Spray to be Encore KL53-2000-SP7. Utility spray body to be constructed of polished chrome plated brass with total lead content less than 0.25% by weighted average. Faucet body with adjustable 8" (203mm) centers supply couplings shall have ¼-turn full volume compression valves with integral check valves. Hose to be 72" (1829mm) long, constructed of 3-ply nylon reinforced Santoprene<sup>®</sup> permanently secured with high pressure hydraulic fittings pressure tested to 400 psi. Hose to be of washerless, leak-proof design, protected by interlocking helical stainless steel coils for maximum protection and flexibility use. Spray head is furnished with 3.3gpm\* spray with 1.6gpm and 1.2gpm spray faces also provided. Spray assembly to be equipped with Kool Grip™ handle to reduce heat transfer to hand. All touch points to be permanently incorporated with SANIGUARD<sup>®</sup>. Unit is provided with rubber coated wall hook and mounting kit with ½" NPT 90° elbows.

\*All flow rates are @ 60psi.

COMPLIES WITH:  
ASME A112.18.1-2005  
CSA B125.1-05  
NSF/ANSI 61/9, ANNEX G  
SECTION 116875 OF THE  
CALIFORNIA HEALTH & SAFETY CODE  
(COMMONLY KNOWN AS AB1953)  
VERMONT ACT 193  
UNIFORM PLUMBING CODE

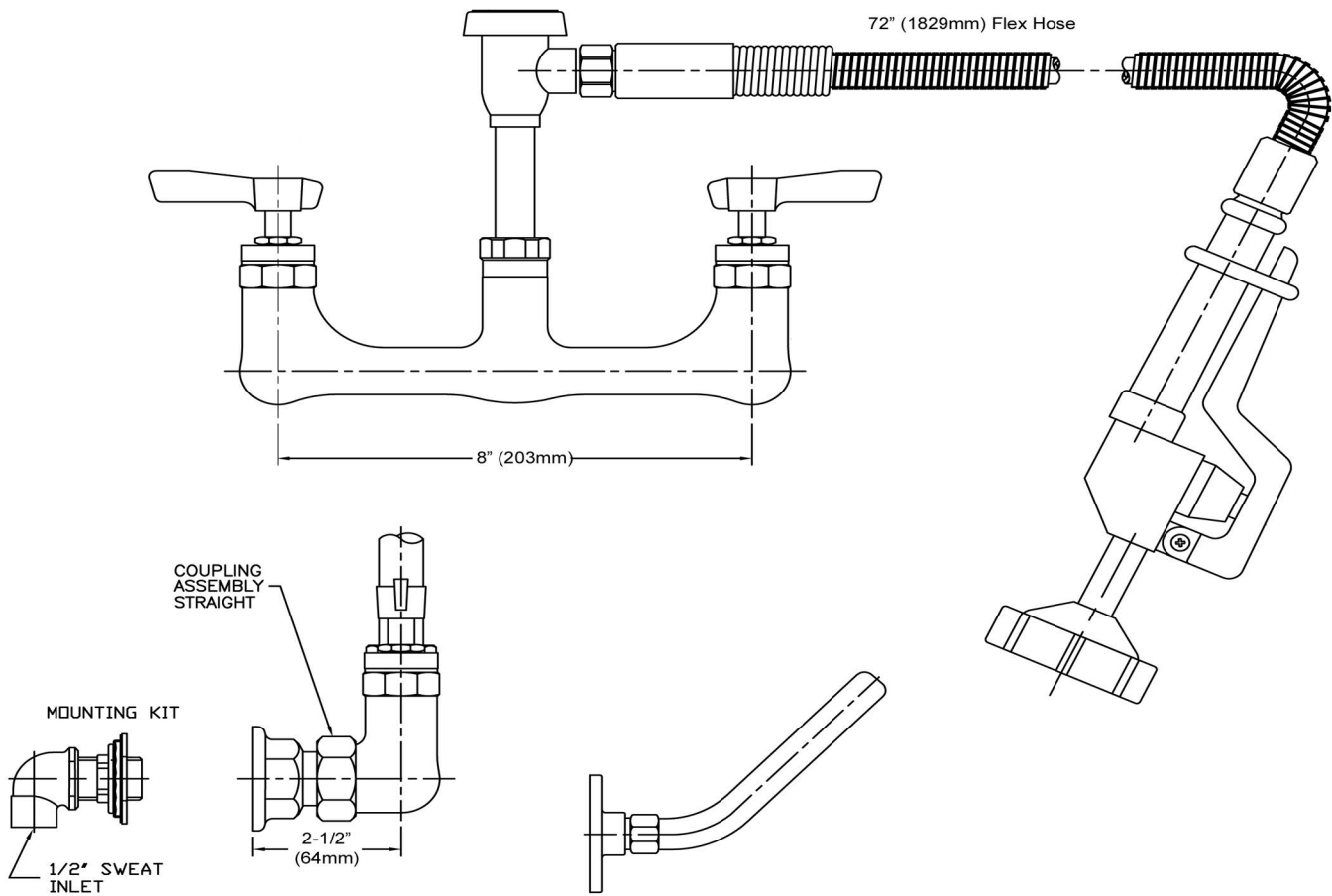


# KL53-2000-SP7

## Wall Mount Utility Spray with Vacuum Breaker & Mounting Kit

PREMIUM PLUMBING PRODUCTS  
**Encore**<sup>®</sup>

1890 Swarthmore Avenue, PO Box 2020, Lakewood, NJ 08701  
Phone: 800-526-3694, 732-363-4700, Fax: 732-364-8110  
[www.encoreplumbing.com](http://www.encoreplumbing.com) • [www.componenthardware.com](http://www.componenthardware.com)



1-1/2" (29mm) holes for backsplash are recommended to accommodate 1/2" supply nipples.

1/2" NPT Male

Operating Temperature: 40 - 180°F (5 - 83°C)

Operating Pressure: 15 - 125psi