

PROJECT NAME: _____

LOCATION: _____

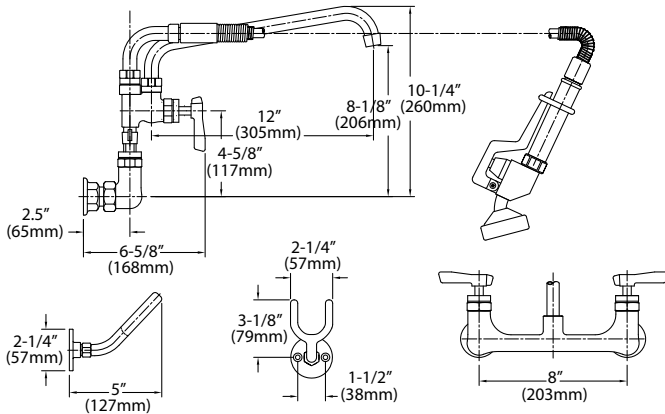
SPECIFIER ITEM NO. _____ **QTY:** _____

ENCORE PART NO. _____

Encore[®] Pot Filler with Pre-Rinse Spray Valve

KL53-2x00-SP6

KL53-2000-SP6 Compression Valves
 KL53-2100-SP6 Ceramic Valves



Dimensions shown in inches (mm) are for reference only and are subject to change.

1-1/8" (29mm) holes for backsplash are recommended to accommodate 1/2" supply nipples.
 1/2" NPT Female Inlets
 Operating Temperature: 40 - 180°F (5 - 83°C)
 Operating Pressure: 15 - 125psi

Approximate shipping weight - 8 lbs
 Warranty - 2 years parts

Solid heavy duty cast body is specification and commercial quality

Commercial Quality Features

- Add-on faucet with 12" (305mm) spout design
- ADA-compliant lever handles
- 96" flexible S/S hose with Kool Grip™ handle

SANIGUARD[®] Product Protection

- Permanently incorporated on all touch points of Encore plumbing fixtures
- Inorganic, silver ion technology inhibits growth of common bacteria, yeasts, mold and fungi, minimizes cross-contamination

SPECIFICATIONS:

Wall Mount Faucet to be Encore KL53-2000-SP6 Series in the following configuration:

_____ KL53-2000-SP6 Compression Valves

_____ KL53-2100-SP6 Ceramic Valves

Faucet body to be constructed of polished chrome plated brass with total lead content less than 0.25% by weighted average. Lever handles to be incorporated with SANIGUARD treatment. Inlets to be 8" on center. Valves to be 1/4-turn with integral check valve to prevent cross-flow and back-flow. Spout to be 12" add-on faucet. Hose to be 96" flexible stainless steel with Kool Grip™ handle. Hold open ring and hose wall hook to be included. Unit to be furnished with 1.6gpm spray head (@ 60psi).

COMPLIES WITH:
 THE FEDERAL "REDUCTION OF LEAD
 IN DRINKING WATER ACT" -
 2011 - US SENATE BILL NO. S.3874
 NSF/ANSI 61/9, ANNEX G

