

PROJECT NAME: _____

LOCATION: _____

SPECIFIER ITEM NO. _____ **QTY:** _____

ENCORE PART NO. _____

Encore[®] Deck Mount Pre-Rinse Assembly
 with Add-On Faucet

KL60-1000-AFx Series

- KL60-1000-AF1 6" Add-On
- KL60-1000-AF2 8" Add-On
- KL60-1000-AF3 10" Add-On
- KL60-1000-AF4 12" Add-On
- KL60-1000-AF5 14" Add-On
- KL60-1000-AF6 16" Add-On
- KL60-1000-AF7 18" Add-On



Approximate shipping weight - 13 lb
 Warranty - 2 years parts on faucet and spray valve

Heavy duty pre-rinse assembly designed to withstand the demands of commercial operations.

Low-Flow Spray Valve

- 1.6gpm Flat Spray
- Spray head hook holds spray head away from work area when not in use
- Heat resistant, non-marring, impact resistant bumper will not fatigue under extreme operating temperatures

Encore Premium Hose Feature

- 3-ply nylon reinforced Santoprene[®] inner hose provides maximum durability
- Interlocking helical coils of stainless steel outer hose shroud protect inner hose
- Patented stainless steel strain relief spring transfers and distributes load stress to significantly improve hose life
- High pressure hydraulic fittings on hose ends tested to 400psi
- Washerless design incorporates temperature resistant O-rings to provide leak-proof seal on all hose assemblies and hose grips

Kool Grip[™] Hose Grip

- Reduces heat transfer to the hand; stays up to 30 degrees cooler than competitors' grips
- Ergonomic spray handle fits comfortably in even small hands and is easy to use

SANIGUARD[®] Product Protection

- Permanently incorporated on all touch points of Encore plumbing fixtures
- Inorganic, silver ion technology inhibits growth of common bacteria, yeasts, mold and fungi, minimizes cross-contamination

SPECIFICATIONS:

Deck Mount Pre-Rinse Assembly to be Encore KL60-1000 Series in the following configuration:

- ___ KL60-1000-AF1 6" Add-On
- ___ KL60-1000-AF2 8" Add-On
- ___ KL60-1000-AF3 10" Add-On
- ___ KL60-1000-AF4 12" Add-On
- ___ KL60-1000-AF5 14" Add-On
- ___ KL60-1000-AF6 16" Add-On
- ___ KL60-1000-AF7 18" Add-On

Pre-rinse faucet body to be constructed of polished chrome plated brass with total lead content less than 0.25% by weighted average. Pre-rinse hose to be constructed of 3-ply nylon reinforced Santoprene[®] permanently secured with high pressure hydraulic fittings pressure tested to 400 psi. Hose to be of washerless, leak-proof design, protected by interlocking helical stainless steel coils for maximum protection and flexibility. Patented stainless steel strain relief spring transfers load stress. Heavy-duty ergonomic gooseneck spring ensures proper hose position. A patented wall bracket with compression fitting is provided to facilitate installation and give 360° of support. Riser to include spray head hook to hold spray head away from work area when not in use. Spray head to be furnished with 1.6gpm* Water Saver Spray. Spray assembly to be equipped with Kool Grip[™] handle to reduce heat transfer to hand. All touch points to be permanently incorporated with SANIGUARD[®].

*All flow rates are @ 60psi

COMPLIES WITH:
 THE FEDERAL "REDUCTION OF LEAD
 IN DRINKING WATER ACT" -
 2011 - US SENATE BILL NO. S.3874
 NSF/ANSI 61/9, ANNEX G

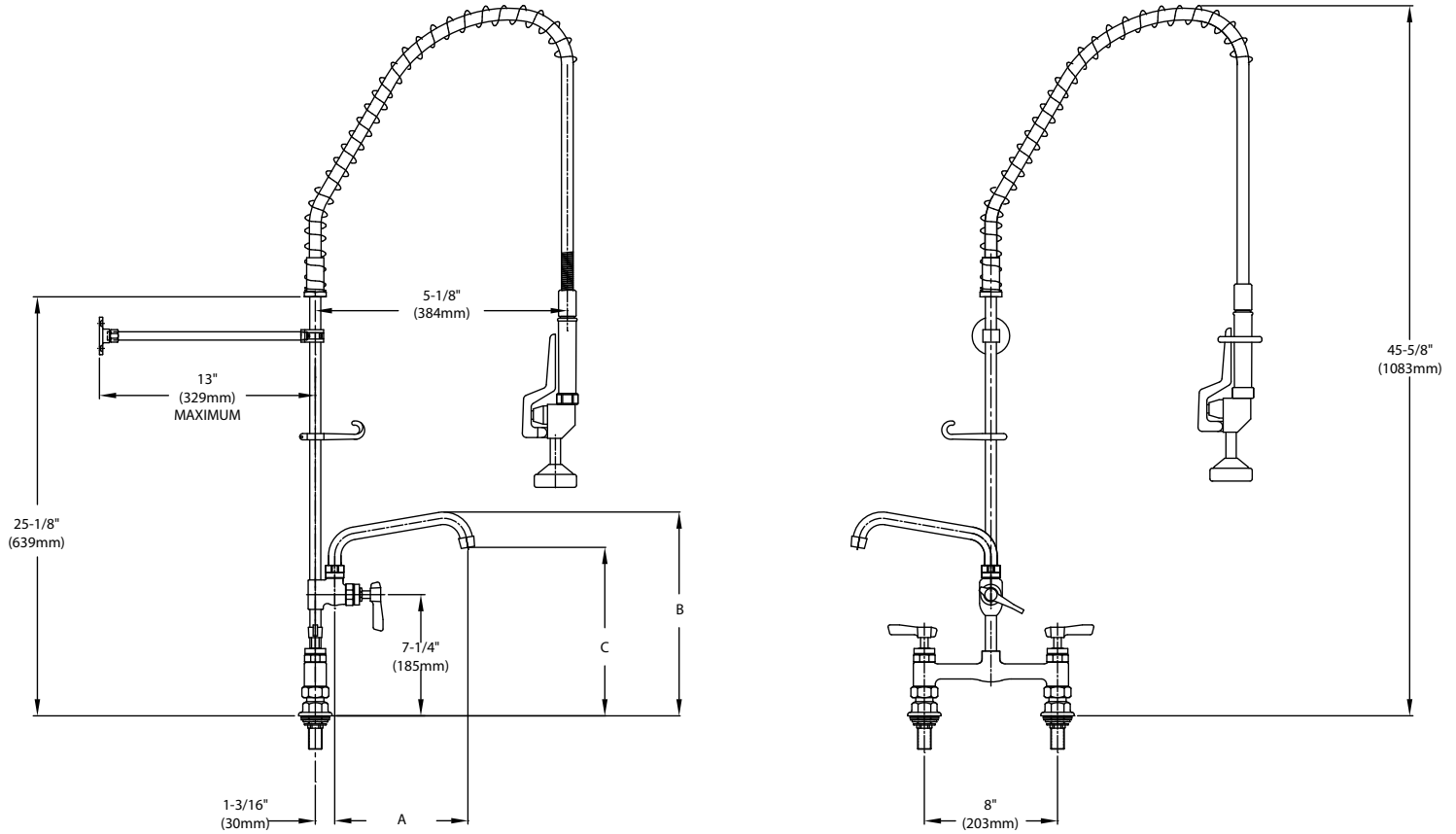


KL60-1000-AFx Series

Deck Mount Pre-Rinse Assembly with Add-On Faucet

PREMIUM PLUMBING PRODUCTS
Encore[®]

1890 Swarthmore Avenue, PO Box 2020, Lakewood, NJ 08701
 Phone: 800-526-3694, 732-363-4700, Fax: 732-364-8110
www.encoreplumbing.com • www.componenthardware.com



Model No.	A	B	C
KL60-1000-AF1	6" (152mm)	11-13/16" (300mm)	9-9/16" (243mm)
KL60-1000-AF2	8" (203mm)	12-1/4" (311mm)	10-1/8" (257mm)
KL60-1000-AF3	10" (254mm)	12-9/16" (319mm)	10-1/2" (266mm)
KL60-1000-AF4	12" (305mm)	13-3/16" (335mm)	10-15/16" (278mm)
KL60-1000-AF5	14" (356mm)	13-35/48" (348mm)	11-3/8" (289mm)
KL60-1000-AF6	16" (406mm)	14-1/8" (359mm)	11-7/18" (302mm)

1-1/2" (29mm) holes for deck are recommended to accommodate 1/2" supply nipples.

1/2" NPT Female Inlets

Operating Temperature: 40-180°F (5-83°C)

Operating Pressure: 15-125psi

Dimensions shown in inches (mm) are for reference only and are subject to change.