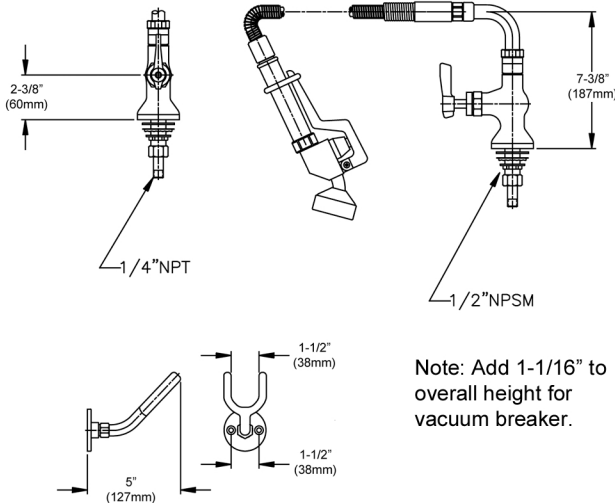


Encore® Deck Mount Utility Spray  
**KL63-2x00-xx Series**

- KL63-2000      Compression valve,  
No vacuum breaker
- KL63-2000-VB      Compression valve,  
With vacuum breaker
- KL63-2100      Ceramic valve,  
No vacuum breaker
- KL63-2100-VB      Ceramic valve,  
With vacuum breaker



KL63-2000-VB Shown



Note: Add 1-1/16" to overall height for vacuum breaker.

Dimensions shown in inches (mm) are for reference only and are subject to change.

1-1/8" (29mm) hole is recommended to accommodate 1/2" supply nipple.  
 1/2" NPT female inlet  
 Operating Temperature: 40-180°F (5-83°C)  
 Operating Pressure: 15-125psi

Approximate shipping weight - 5 lbs  
 Warranty - 2 years parts

Solid heavy duty cast body is specification and commercial quality

**Commercial Quality Features**

- Provided with 3.3gpm, 1.6gpm and 1.2gpm spray faces
- ADA-compliant lever handles
- 72" flexible S/S hose with Kool Grip™ handle

**SANIGUARD® Product Protection**

- Permanently incorporated on all touch points of Encore plumbing fixtures
- Inorganic, silver ion technology inhibits growth of common bacteria, yeasts, mold and fungi, minimizes cross-contamination

**SPECIFICATIONS:**

Deck Mount Utility Spray to be Encore KL63-2000 Series in the following configuration:

- \_\_\_\_\_ KL63-2000      Compression valve, no vacuum breaker
- \_\_\_\_\_ KL63-2000-VB      Compression valve, with vacuum breaker
- \_\_\_\_\_ KL63-2100      Ceramic valve, no vacuum breaker
- \_\_\_\_\_ KL63-2100-VB      Ceramic valve, with vacuum breaker

Faucet body to be constructed of polished chrome plated brass with total lead content less than 0.25% by weighted average. Hose to be 72" flexible stainless steel with Kool Grip™ handle. Hose to have Santoprene® reinforced inner hose. Hold open ring and hose wall hook to be included. Valve to be 1/4-turn with integral check valve to prevent cross-flow and back-flow. Lever handle and grip to be incorporated with SANIGUARD treatment.

**COMPLIES WITH:**  
 THE FEDERAL "REDUCTION OF LEAD IN DRINKING WATER ACT" - 2011 - US SENATE BILL NO. S.3874  
 NSF/ANSI 61/9, ANNEX G

