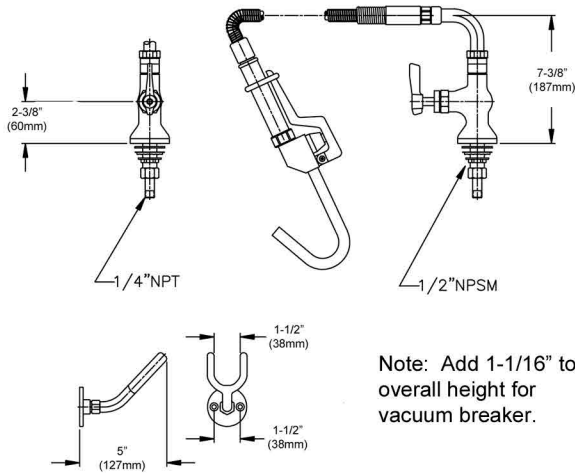


Encore® Deck Mount Pot Filler Assembly  
**KL63-3x00-xx**

- KL63-3000 Compression valves, no vacuum breaker
- KL63-3100 Ceramic Valves, no vacuum breaker
- KL63-3000-VB Compression valves with vacuum breaker
- KL63-3100-VB Ceramic valves with vacuum breaker



KL63-3000-VB Shown



Note: Add 1-1/16" to overall height for vacuum breaker.

Dimensions shown in inches (mm) are for reference only and are subject to change.

1-1/8" (29mm) hole for deck is recommended to accommodate 1/2" supply nipple.  
1/2" NPS inlets and 1/4" NPT compression fitting inlets  
Operating Temperature: 40-180°F (5-83°C)  
Operating Pressure: 15-125psi

Approximate shipping weight - 10 lbs  
Warranty - 2 years parts

Solid heavy duty cast body is specification and commercial quality

**Commercial Quality Features**

- Pot filler valve
- ADA-compliant lever handles
- 72" flexible S/S hose with Kool Grip™ handle

**SANIGUARD® Product Protection**

- Permanently incorporated on all touch points of Encore plumbing fixtures
- Inorganic, silver ion technology inhibits growth of common bacteria, yeasts, mold and fungi, minimizes cross-contamination

**SPECIFICATIONS:**

Deck Mount Pot Filler to be Encore KL63-3000 Series in the following configuration:

- \_\_\_\_\_ KL63-3000 Compression Valve Without Vacuum Breaker
- \_\_\_\_\_ KL63-3100 Ceramic Valve Without Vacuum Breaker
- \_\_\_\_\_ KL63-3000-VB Compression Valve With Vacuum Breaker
- \_\_\_\_\_ KL63-3100-VB Ceramic Valve With Vacuum Breaker

Faucet body to be constructed of polished chrome plated brass with total lead content less than 0.25% by weighted average. Lever handle and grip to be incorporated with SANIGUARD treatment. Valve to be 1/4-turn with integral check valve to prevent cross-flow and back-flow. Hose to be 72" flexible stainless steel with Kool Grip™ handle and vacuum breaker. Hose to have Santoprene® reinforced inner hose. Hold open ring and hose wall hook to be included.

COMPLIES WITH:  
ASME A112.18.1-2005  
CSA B125.1-05  
NSF/ANSI 61/9, ANNEX G  
SECTION 116875 OF THE  
CALIFORNIA HEALTH & SAFETY CODE  
(COMMONLY KNOWN AS AB1953)  
VERMONT ACT 193  
UNIFORM PLUMBING CODE

