

**PROJECT NAME:** \_\_\_\_\_

**LOCATION:** \_\_\_\_\_

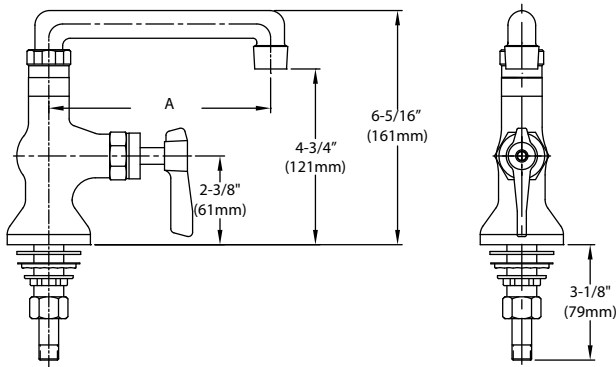
**SPECIFIER ITEM NO.** \_\_\_\_\_ **QTY:** \_\_\_\_\_

**ENCORE PART NO.** \_\_\_\_\_

Encore<sup>®</sup> Deck Mount Single Pantry Faucet with Swivel Cast Spout and Lever Handle

**KL64-9x0x-TE1 Series**

- KL64-9106-TE1 6" Spout, Ceramic Valves
- KL64-9006-TE1 6" Spout, Compression Valves
- KL64-9108-TE1 8" Spout, Ceramic Valves
- KL64-9008-TE1 8" Spout, Compression Valves



Dimensions shown in inches (mm) are for reference only and are subject to change.

- 1/2" NPSM Male Inlets
- 1/4" NPT Compression Fitting
- Operating Temperature: 40-180°F (5-83°C)
- Operating Pressure: 15-125psi
- Note: 1-1/8" (29mm) hole for deck is recommended to accommodate 1/2" supply nipple.

Approximate shipping weight - 5 lbs  
 Warranty - 2 years parts

Solid heavy duty cast body is specification and commercial quality

**Commercial Quality Features**

- Swivel cast spout design
- ADA-compliant lever handle
- Built-in check valve to prevent cross-flow and back-flow
- Leak proof double O-ring spout design

**SANIGUARD<sup>®</sup> Product Protection**

- Permanently incorporated on all touch points of Encore plumbing fixtures
- Inorganic, silver ion technology inhibits growth of common bacteria, yeasts, mold and fungi, minimizes cross-contamination

**SPECIFICATIONS:**

Deck Mount Single Pantry Faucet to be Encore KL64 Series in the following configuration:

- \_\_\_\_\_ KL64-9106-TE1 6" Spout, Ceramic Valves
- \_\_\_\_\_ KL64-9006-TE1 6" Spout, Compression Valves
- \_\_\_\_\_ KL64-9108-TE1 8" Spout, Ceramic Valves
- \_\_\_\_\_ KL64-9008-TE1 8" Spout, Compression Valves

Faucet body to be constructed of polished chrome plated brass with total lead content less than 0.25% by weighted average. Lever handle to be incorporated with SANIGUARD treatment. Valve to be 1/4-turn with integral check valve to prevent cross-flow and back-flow. Spout to be swivel cast style with leak proof double O-ring seal design. 2.2gpm aerator @ 60psi standard with full flow stream bubbler screen spout tip.

Model No.	A
KL64-9106-TE1	6" (152mm)
KL64-9006-TE1	6" (152mm)
KL64-9108-TE1	8" (203mm)
KL64-9008-TE1	8" (203mm)

COMPLIES WITH:  
 THE FEDERAL "REDUCTION OF LEAD IN DRINKING WATER ACT" –  
 2011 – US SENATE BILL NO. S.3874  
 NSF/ANSI 61/9, ANNEX G

