

Encore® Low Lead Wall Mount Pre-Rinse Assembly with Add-On Faucet

**KL69-1000-AFx Series**

|                |            |
|----------------|------------|
| KL69-1000-AF1  | 6" Add-On  |
| KL69-1000-AF2  | 8" Add-On  |
| KL69-1000-AF3  | 10" Add-On |
| KL69-1000-AF4  | 12" Add-On |
| KL69-1000-AF5  | 14" Add-On |
| KL69-1000-AF6  | 16" Add-On |
| KL69-1000-AF7A | 18" Add-On |



Approximate shipping weight - 13 lb  
Warranty - 2 years parts

Heavy duty pre-rinse assembly designed to withstand the demands of commercial operations.

**Low-Flow Spray Valve**

- 1.6gpm Flat Spray
- Spray head hook holds spray head away from work area when not in use
- Heat resistant, non-marring, impact resistant bumper will not fatigue under extreme operating temperatures

**Encore Premium Hose Feature**

- 3-ply nylon reinforced Santoprene® inner hose provides maximum durability
- Interlocking helical coils of stainless steel outer hose shroud protect inner hose
- Patented stainless steel strain relief spring transfers and distributes load stress to significantly improve hose life
- High pressure hydraulic fittings on hose ends tested to 400psi
- Washerless design incorporates temperature resistant o-rings to provide leak-proof seal on all hose assemblies and hose grips

**Kool Grip™ Hose Grip**

- Reduces heat transfer to the hand; stays up to 30 degrees cooler than competitors' grips
- Ergonomic spray handle fits comfortably in even small hands and is easy to use

**SANIGUARD® Product Protection**

- Permanently incorporated on all touch points of Encore plumbing fixtures
- Inorganic, silver ion technology inhibits growth of common bacteria, yeasts, mold and fungi, minimizes cross-contamination

**SPECIFICATIONS:**

Low Lead Wall Mount Pre-Rinse Assembly to be Encore KL69-1000 Series in the following configuration:

|       |                |            |
|-------|----------------|------------|
| _____ | KL69-1000-AF1  | 6" Add-On  |
| _____ | KL69-1000-AF2  | 8" Add-On  |
| _____ | KL69-1000-AF3  | 10" Add-On |
| _____ | KL69-1000-AF4  | 12" Add-On |
| _____ | KL69-1000-AF5  | 14" Add-On |
| _____ | KL69-1000-AF6  | 16" Add-On |
| _____ | KL69-1000-AF7A | 18" Add-On |

Pre-rinse body to be constructed of polished chrome plated brass with total lead content less than 0.25% by weighted average. Pre-rinse hose to be constructed of 3-ply nylon reinforced Santoprene® permanently secured with high pressure hydraulic fittings pressure tested to 400 psi. Hose to be of washerless, leak-proof design, protected by interlocking helical stainless steel coils for maximum protection and flexibility. Patented stainless steel strain relief spring transfers load stress. Heavy-duty ergonomic gooseneck spring ensures proper hose position. A patented wall bracket with compression fitting is provided to facilitate installation and give 360° of support. Riser to include spray head hook to hold spray head away from work area when not in use. Spray head to be furnished with 1.6gpm\* Water Saver Spray. Spray assembly to be equipped with Kool Grip™ handle to reduce heat transfer to hand. All touch points to be permanently incorporated with SANIGUARD®.

\*All flow rates are @ 60psi

COMPLIES WITH:  
THE FEDERAL "REDUCTION OF LEAD  
IN DRINKING WATER ACT" -  
2011 - US SENATE BILL NO. S.3874  
NSF/ANSI 61/9, ANNEX G

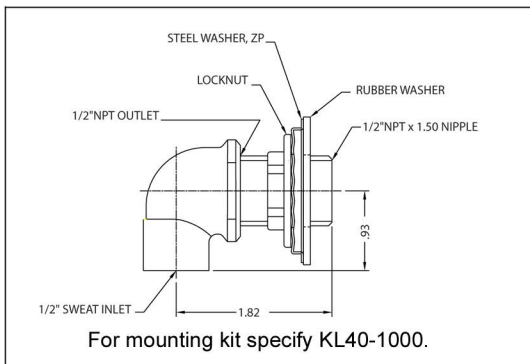
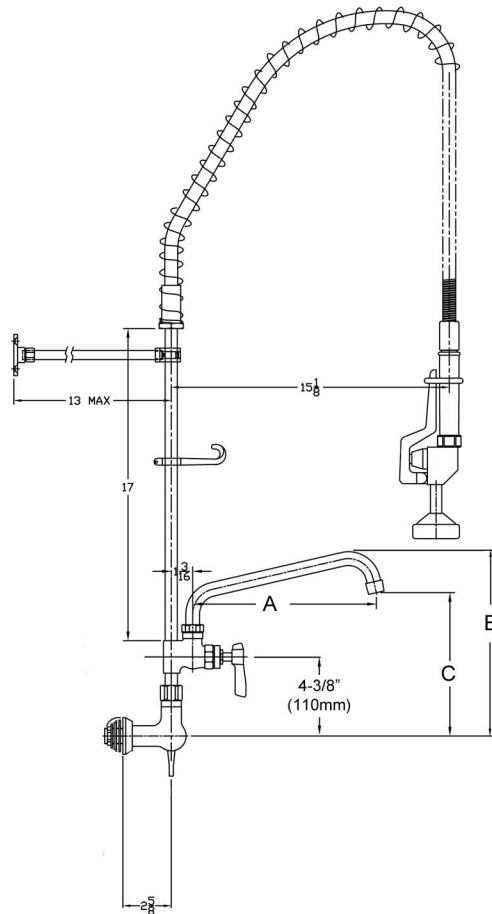


# KL69-1000-AFx Series

## Low Lead Wall Mount Pre-Rinse Assembly with Add-On Faucet

PREMIUM PLUMBING PRODUCTS  
**Encore**<sup>®</sup>

1890 Swarthmore Avenue, PO Box 2020, Lakewood, NJ 08701  
Phone: 800-526-3694, 732-363-4700, Fax: 732-364-8110  
www.encoreplumbing.com • www.componenthardware.com



| Model No.      | A           | B                | C                |
|----------------|-------------|------------------|------------------|
| KL69-1000-AF1  | 6" (152mm)  | 9-1/4" (234mm)   | 7" (178mm)       |
| KL69-1000-AF2  | 8" (203mm)  | 9-11/16" (246mm) | 7-7/16" (189mm)  |
| KL69-1000-AF3  | 10" (254mm) | 10-1/8" (258mm)  | 7-15/10" (201mm) |
| KL69-1000-AF4  | 12" (305mm) | 10-5/8" (270mm)  | 8-3/8" (213mm)   |
| KL69-1000-AF5  | 14" (356mm) | 11-1/16" (281mm) | 8-13/16" (225mm) |
| KL69-1000-AF6  | 16" (406mm) | 11-9/16" (293mm) | 9-5/16" (236mm)  |
| KL69-1000-AF7A | 18" (456mm) | 12-1/16" (305mm) | 9-3/4" (247mm)   |

1-1/2" (29mm) holes for backsplash are recommended to accommodate 1/2" supply nipples.

1/2" NPT Female Inlets

Operating Temperature: 40 - 180°F (5 - 83°C)

Operating Pressure: 15 - 125psi

Dimensions shown in inches (mm) are for reference only and are subject to change.