

PROJECT NAME: _____
LOCATION: _____
SPECIFIER ITEM NO. _____ **QTY:** _____
ENCORE PART NO. _____

Encore® Wall Mount Pre-Rinse Assembly KL71-1xxx Series

Model	Flow Rate	Spring	Wall Bracket
KL71-1000	1.6 gpm	Chrome Plated	None
KL71-10L2	1.2 gpm	Chrome Plated	None
KL71-10L3	.65 gpm	Chrome Plated	None
KL71-1000-S	1.6 gpm	Stainless	None
KL71-10L2-S	1.2 gpm	Stainless	None
KL71-10L3-S	.65 gpm	Stainless	None
KL71-1000-BR	1.6 gpm	Chrome Plated	None
KL71-10L2-BR	1.2 gpm	Chrome Plated	None
KL71-10L3-BR	.65 gpm	Chrome Plated	None
KL71-1000-BS	1.6 gpm	Stainless	None
KL71-10L2-BS	1.2 gpm	Stainless	None
KL71-10L3-BS	.65 gpm	Stainless	None

ADD-ON FAUCETS

Model	Spout Length
KL55-7006	6" (152mm)
KL55-7008	8" (203mm)
KL55-7010	10" (254mm)
KL55-7012	12" (305mm)
KL55-7014	14" (356mm)
KL55-7016	16" (406mm)
KL55-7018*	18" (457mm)
KL55-7018ASE1	18" (457mm)
KL55-7024*	24" (610mm)

*Double-jointed spout



Low-Flow Spray Valve

- 1.6gpm Flat Spray standard
- Spray head hook holds spray head away from work area when not in use
- Heat resistant, non-marring, impact resistant bumper will not fatigue under extreme operating temperatures

Encore Premium Hose Feature

- 3-ply nylon reinforced Santoprene® inner hose provides maximum durability
- Interlocking helical coils of stainless steel outer hose shroud protect inner hose
- Patented stainless steel strain relief spring transfers and distributes load stress to significantly improve hose life
- High pressure hydraulic fittings on hose ends tested to 400psi
- Washerless design incorporates temperature resistant o-rings to provide leak-proof seal on all hose assemblies and hose grips

Kool Grip™ Hose Grip

- Reduces heat transfer to the hand; stays up to 30 degrees cooler than competitors' grips
- Ergonomic spray handle fits comfortably in even small hands and is easy to use

SANIGUARD® Product Protection

- Permanently incorporated on all touch points of Encore plumbing fixtures
- Inorganic, silver ion technology inhibits growth of common bacteria, yeasts, mold and fungi, minimizes cross-contamination

Approximate shipping weight - 11 lbs
 Warranty - 2 years parts

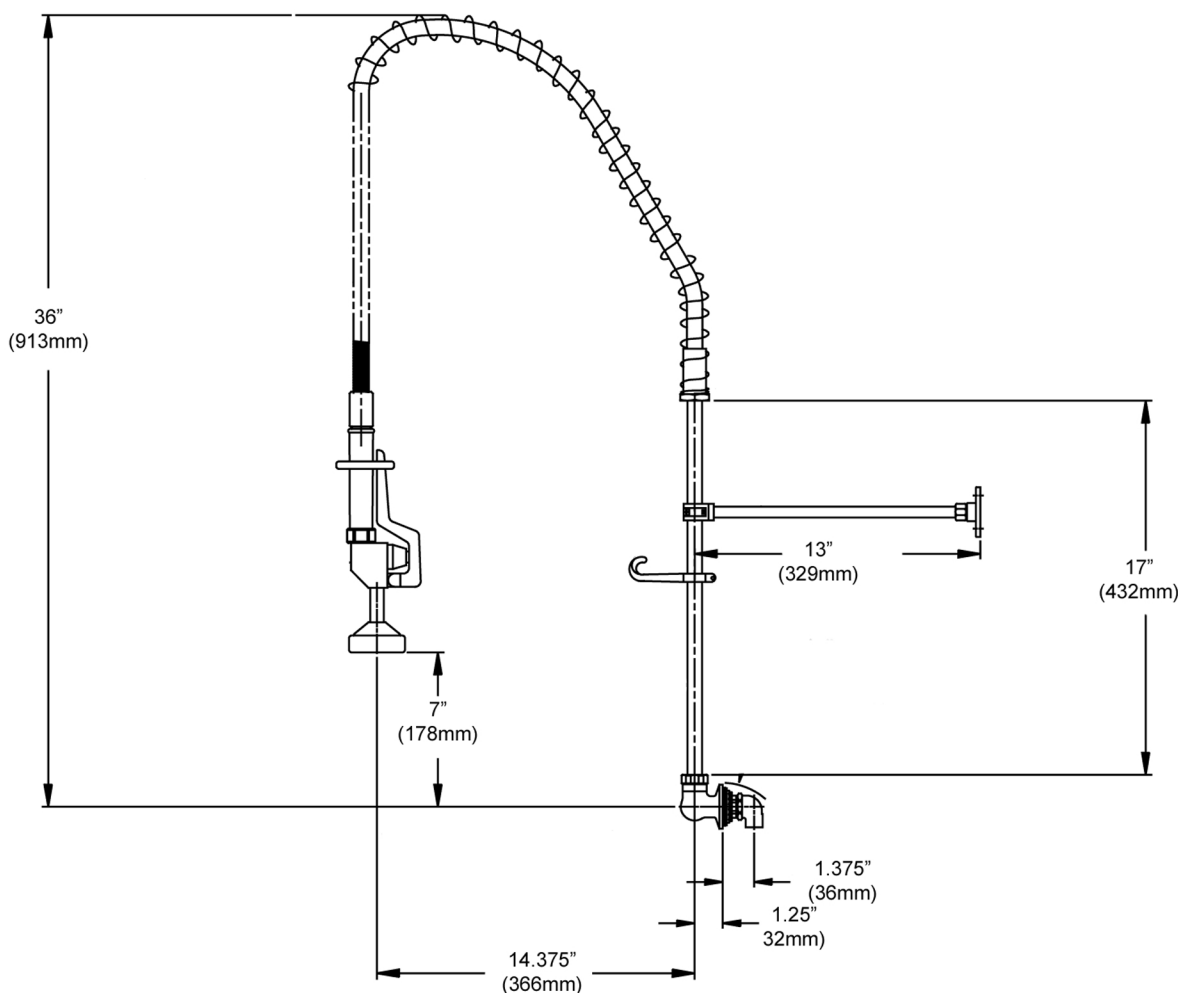
COMPLIES WITH:
 THE FEDERAL "REDUCTION OF LEAD
 IN DRINKING WATER ACT" -
 2011 - US SENATE BILL NO. S.3874
 NSF/ANSI 61/9, ANNEX G



KL71 Series Wall Mount Pre-Rinse Assembly

PREMIUM PLUMBING PRODUCTS
Encore[®]

1890 Swarthmore Avenue, PO Box 2020, Lakewood, NJ 08701
Phone: 800-526-3694, 732-363-4700, Fax: 732-364-8110
www.encoreplumbing.com • www.componenthardware.com



SPECIFICATIONS:

Wall Mount Pre-Rinse Assembly to be Encore KL71 Series
Model _____.

Pre-rinse body to be constructed of polished chrome plated brass with total lead content less than 0.25% by weighted average. Pre-rinse hose to be constructed of 3-ply nylon reinforced Santoprene[®] permanently secured with high pressure hydraulic fittings pressure tested to 400 psi. Hose to be of washerless, leak-proof design, protected by interlocking helical stainless steel coils for maximum protection and flexibility. Patented stainless steel strain relief spring transfers load stress. Heavy-duty ergonomic gooseneck spring ensures proper hose position. Riser to include spray head hook to hold spray head away from work area when not in use. Spray assembly to be equipped with Kool Grip[™] handle to reduce heat transfer to hand. All touch points to be permanently incorporated with SANIGUARD[®].

1/2" NPT Male Inlet
Operating Temperature: 40-180°F (5-83°C)
Operating Pressure: 15-125psi
1-1/8" (29mm) hole for backsplash is recommended to accommodate 1/2" supply valve