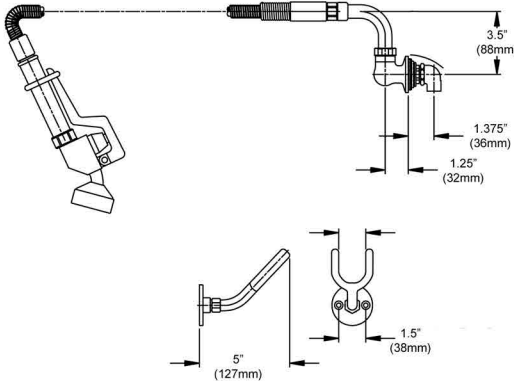


Encore® Wall Mount Utility Spray Assembly
KL71-2000-xx Series

- KL71-2000 No vacuum breaker
 KL71-2000-VB With vacuum breaker



Dimensions shown in inches (mm) are for reference only and are subject to change.

1-1/8" (29mm) hole for wall is recommended to accommodate 1/2" supply nipple.

1/2" NPT female inlet

Operating Temperature: 40-180°F (5-83°C)

Operating Pressure: 15-125psi

Approximate shipping weight - 5 lbs

Warranty - 2 years parts

Solid heavy duty cast body is specification and commercial quality

Commercial Quality Features

- Provided with 3.3gpm, 1.6gpm and 1.2gpm spray faces
- ADA-compliant lever handles
- 72" flexible S/S hose with Kool Grip™ handle

SANIGUARD® Product Protection

- Permanently incorporated on all touch points of Encore plumbing fixtures
- Inorganic, silver ion technology inhibits growth of common bacteria, yeasts, mold and fungi, minimizes cross-contamination

SPECIFICATIONS:

Wall Mount Utility Spray to be Encore KL71-2000 Series in the following configuration:

- _____ KL71-2000 Without vacuum breaker
 _____ KL71-2000-VB With vacuum breaker

Faucet body to be constructed of polished chrome plated brass with total lead content less than 0.25% by weighted average. Hose to be 72" flexible stainless steel with Kool Grip™ handle. Hose to have Santoprene® reinforced inner hose. Hold open ring and hose wall hook to be included.

COMPLIES WITH:
 THE FEDERAL "REDUCTION OF LEAD IN DRINKING WATER ACT" – 2011 – US SENATE BILL NO. S.3874
 NSF/ANSI 61/9, ANNEX G

