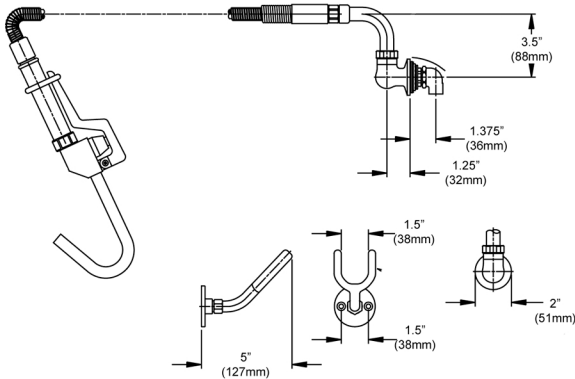


PROJECT NAME: _____
LOCATION: _____
SPECIFIER ITEM NO. _____ **QTY:** _____
ENCORE PART NO. _____

Encore® Wall Mount Pot Filler Assembly
KL71-3000-xx

KL71-3000 No vacuum breaker
KL71-3000-VB With vacuum breaker



Dimensions shown in inches (mm) are for reference only and are subject to change.

1-1/8" (29mm) hole for wall recommended to accommodate 1/2" supply nipple.

1/2" NPT female inlets

Operating Temperature: 40-180°F (5-83°C)

Operating Pressure: 15-125psi

Approximate shipping weight - 11 lbs

Warranty - 2 years parts

Solid heavy duty cast body is specification and commercial quality

Commercial Quality Features

- Pot filler valve
- ADA-compliant lever handles
- 72" flexible S/S hose with Kool Grip™ handle

SANIGUARD® Product Protection

- Permanently incorporated on all touch points of Encore plumbing fixtures
- Inorganic, silver ion technology inhibits growth of common bacteria, yeasts, mold and fungi, minimizes cross-contamination

SPECIFICATIONS:

Wall Mount Pot Filler to be Encore KL71-3000 Series in the following configuration:

- _____ KL71-3000 Without vacuum breaker
- _____ KL71-3000-VB With vacuum breaker

Faucet body to be constructed of polished chrome plated brass with total lead content less than 0.25% by weighted average. Hose to be 72" flexible stainless steel with Kool Grip™ handle. Hose to have Santoprene® reinforced inner hose. Hold open ring and hose wall hook to be included.

COMPLIES WITH:

ASME A112.18.1-2005
CSA B125.1-05
NSF/ANSI 61/9, ANNEX G
SECTION 116875 OF THE
CALIFORNIA HEALTH & SAFETY CODE
(COMMONLY KNOWN AS AB1953)
VERMONT ACT 193
UNIFORM PLUMBING CODE

