

**PROJECT NAME:** \_\_\_\_\_

**LOCATION:** \_\_\_\_\_

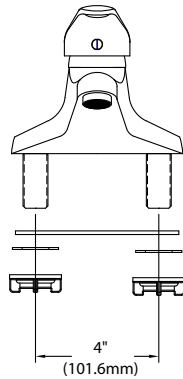
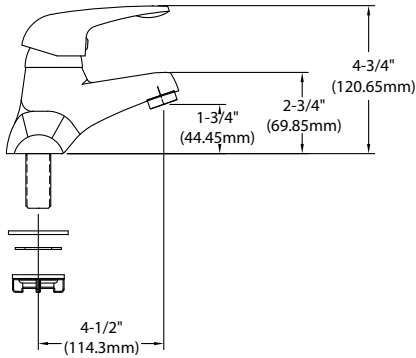
**SPECIFIER ITEM NO.** \_\_\_\_\_ **QTY:** \_\_\_\_\_

**ENCORE PART NO.** \_\_\_\_\_

Encore® Deck Mount Faucet with 4-1/2" (114mm) Cast Brass Spout, Single Lever Handle and Hot Limit Stop

## KL81-4005-CEx Series

- KL81-4005-CE1 Lever Handle (shown)  
 KL81-4005-CE2 Loop Handle  
 KL81-4005-CE3 Extended Lever Handle



Dimensions shown in inches (mm) are for reference only and are subject to change.

- 1-1/8" (29mm) holes for deck are recommended to accommodate 1/2" supply nipples  
 1/2" NPSM Male Inlets with  
 1/4" Compression Fittings  
 Operating Temperature: 40-180°F (5-83°C)  
 Operating Pressure: 15-125psi

Approximate shipping weight - 5 lbs  
 Warranty - 2 years parts

Solid heavy duty cast body is specification and commercial quality

### Commercial Quality Features

- 4-1/2" (114mm) cast brass spout design
- ADA-compliant single lever handle
- Ceramic cartridges with hot limit stop

### SANIGUARD® Product Protection

- Permanently incorporated on all touch points of Encore plumbing fixtures
- Inorganic, silver ion technology inhibits growth of common bacteria, yeasts, mold and fungi, minimizes cross-contamination

### SPECIFICATIONS:

Deck Mount Faucet to be Encore KL81-4005-CEx Series in the following configuration:

- \_\_\_\_ KL81-4005-CE1 Lever Handle  
 \_\_\_\_ KL81-4005-CE2 Loop Handle  
 \_\_\_\_ KL81-4005-CE3 Extended Lever Handle

Faucet body to be constructed of polished chrome plated brass with total lead content less than 0.25% by weighted average. Single lever handle to be incorporated with SANIGUARD treatment. Cartridge to be ceramic with hot limit stop. Spout to be 4-1/2" centerline cast brass. Mounting hardware to be included.

### COMPLIES WITH:

ASME A112.18.1-2005  
 CSA B125.1-05  
 NSF/ANSI 61/9, ANNEX G  
 SECTION 116875 OF THE  
 CALIFORNIA HEALTH & SAFETY CODE  
 (COMMONLY KNOWN AS AB1953)  
 VERMONT ACT 193  
 UNIFORM PLUMBING CODE

