

PROJECT NAME: _____

LOCATION: _____

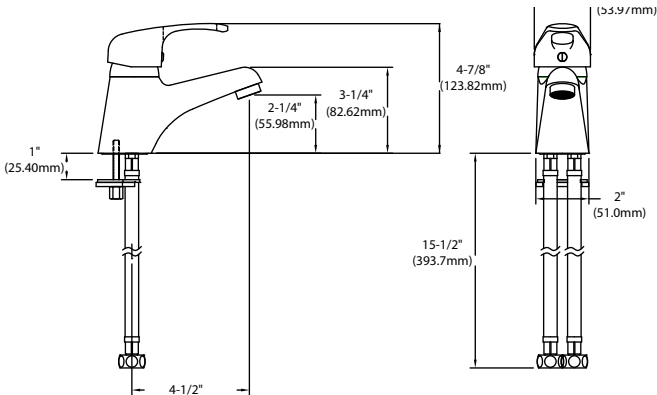
SPECIFIER ITEM NO. _____ **QTY:** _____

ENCORE PART NO. _____

Encore[®] Deck Mount Faucet with 4-1/2" (114mm) Cast Brass Spout, Single Lever Handle and Hot Limit Stop

KL81-9005-CEx Series

- KL81-9005-CE1 Lever Handle (*shown*)
- KL81-9005-CE2 Loop Handle
- KL81-9005-CE3 Extended Lever Handle



Dimensions shown in inches (mm) are for reference only and are subject to change.

- 1-1/8" (29mm) hole for deck is recommended to accommodate 1/2" supply inlets
- 1/2" NPSM Female Hose Supplies
- Operating Temperature: 40-180°F (5-83°C)
- Operating Pressure: 15-125psi

Approximate shipping weight - 5 lbs
 Warranty - 2 years parts

Solid heavy duty cast body is specification and commercial quality

Commercial Quality Features

- 4-1/2" (114mm) cast brass spout design
- ADA-compliant single lever handle
- Ceramic cartridge with hot limit stop

SANIGUARD[®] Product Protection

- Permanently incorporated on all touch points of Encore plumbing fixtures
- Inorganic, silver ion technology inhibits growth of common bacteria, yeasts, mold and fungi, minimizes cross-contamination

SPECIFICATIONS:

Deck Mount Faucet to be Encore KL81-9005-CEx Series in the following configuration:

- _____ KL81-9005-CE1 Lever Handle
- _____ KL81-9005-CE2 Loop Handle
- _____ KL81-9005-CE3 Extended Lever Handle

Faucet body to be constructed of polished chrome plated brass with total lead content less than 0.25% by weighted average. Single lever handle to be incorporated with SANIGUARD treatment. Cartridge to be ceramic with hot limit stop. Spout to be 4-1/2" centerline cast brass. 2.2gpm aerator @ 60psi. Mounting hardware to be included.

COMPLIES WITH:
 ASME A112.18.1-2005
 CSA B125.1-05
 NSF/ANSI 61/9, ANNEX G
 SECTION 116875 OF THE
 CALIFORNIA HEALTH & SAFETY CODE
 (COMMONLY KNOWN AS AB1953)
 VERMONT ACT 193
 UNIFORM PLUMBING CODE

