

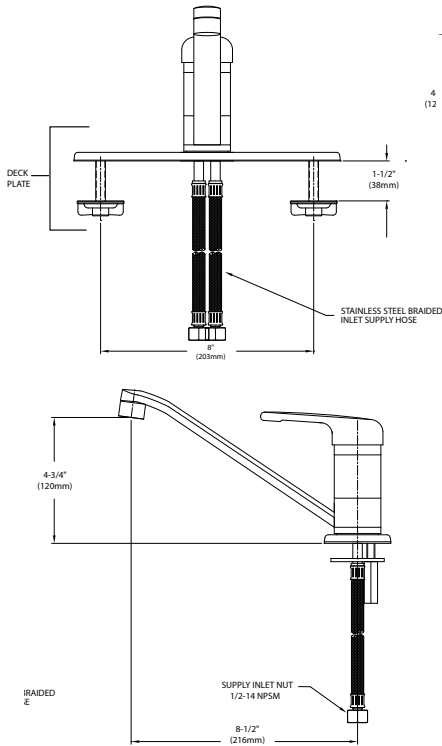
PROJECT NAME: _____

LOCATION: _____

SPECIFIER ITEM NO. _____ **QTY:** _____

ENCORE PART NO. _____

Encore® Deck Mount Faucet with 8-1/2”
 (216mm) Swivel Cast Brass Spout and
 Single Lever Handle with Deck Plate
KL81-9810-TE1



Dimensions shown in inches (mm) are for reference only and are subject to change.

1-1/8” (29mm) hole for deck is recommended to accommodate 1/2” supply nipple.
 Stainless Steel Braided Supply Hose with 1/2” NPSM Inlet Nut
 Operating Temperature: 40-180°F (5-83°C)
 Operating Pressure: 15-125psi

Approximate shipping weight - 5 lbs
 Warranty - 2 years parts

Solid heavy duty cast body is specification and commercial quality

Commercial Quality Features

- 8-1/2” (216mm) swivel cast brass spout design
- ADA-compliant single lever handle
- Ceramic cartridge valve with hot limit stops

SANIGUARD® Product Protection

- Permanently incorporated on all touch points of Encore plumbing fixtures
- Inorganic, silver ion technology inhibits growth of common bacteria, yeasts, mold and fungi, minimizes cross-contamination

SPECIFICATIONS:

Deck Mount Faucet to be Encore KL81-9810-TE1 in the following configuration. Faucet body to be constructed of polished chrome plated brass with total lead content less than 0.25% by weighted average. Single lever handle to be incorporated with SANIGUARD treatment. Spout to be 8-1/2” swivel cast brass. 2.2gpm aerator @ 60psi. Mounting hardware and decorative cover plate to be included.

COMPLIES WITH:

ASME A112.18.1-2005
 CSA B125.1-05
 NSF/ANSI 61/9, ANNEX G
 SECTION 116875 OF THE
 CALIFORNIA HEALTH & SAFETY CODE
 (COMMONLY KNOWN AS AB1953)
 VERMONT ACT 193
 UNIFORM PLUMBING CODE

