

**PROJECT NAME:** \_\_\_\_\_

**LOCATION:** \_\_\_\_\_

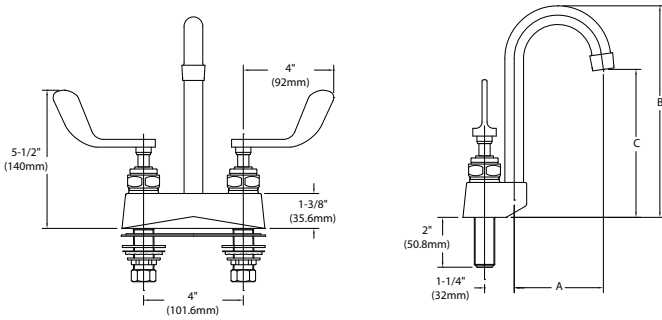
**SPECIFIER ITEM NO.** \_\_\_\_\_ **QTY:** \_\_\_\_\_

**ENCORE PART NO.** \_\_\_\_\_

Encore<sup>®</sup> 4" (102mm) Deck Mount Faucet with Rigid Gooseneck Spout and 4" (102mm) Wrist Blade Handles

## KL83-4x0x-RE4 Series

KL83-4100-RE4	3" Spout, Ceramic Valves
KL83-4000-RE4	3" Spout, Compression Valves
KL83-4102-RE4	6" Spout, Ceramic Valves
KL83-4002-RE4	6" Spout, Compression Valves
KL83-4101-RE4	8" Spout, Ceramic Valves
KL83-4001-RE4	8" Spout, Compression Valves



Dimensions shown in inches (mm) are for reference only and are subject to change.

1-1/8" (29mm) holes for deck are recommended to accommodate 1/2" supply nipples  
1/2" NPSM Male Inlets  
Operating Temperature: 40-180°F (5-83°C)  
Operating Pressure: 15-125psi

Approximate shipping weight - 5 lbs  
Warranty - 2 years parts

Solid heavy duty cast body is specification and commercial quality.

### Commercial Quality Features

- Rigid gooseneck spout design
- ADA-compliant 4" (102mm) wrist blade handles
- Built-in check valves to prevent cross-flow and back-flow
- Stainless steel spout

### SANIGUARD<sup>®</sup> Product Protection

- Permanently incorporated on all touch points of Encore plumbing fixtures
- Inorganic, silver ion technology inhibits growth of common bacteria, yeasts, mold and fungi, minimizes cross-contamination

### SPECIFICATIONS:

Deck Mount Faucet to be Encore KL83 Series in the following configuration:

___ KL83-4100-RE4	3" Spout, Ceramic Valves
___ KL83-4000-RE4	3" Spout, Compression Valves
___ KL83-4102-RE4	6" Spout, Ceramic Valves
___ KL83-4002-RE4	6" Spout, Compression Valves
___ KL83-4101-RE4	8" Spout, Ceramic Valves
___ KL83-4001-RE4	8" Spout, Compression Valves

Faucet body to be constructed of polished chrome plated brass with total lead content less than 0.25% by weighted average. Wrist blade handles to be incorporated with SANIGUARD treatment. Supply inlets to be 4" on center. Valves to be 1/4-turn with integral check valve to prevent cross-flow and back-flow. Spout to be stainless steel rigid gooseneck style. Color coded temperature indexes shall meet international standards. 2.2gpm aerator @ 60psi standard with full flow stream bubbler screen spout tip.

Model No.	A	B	C
KL83-4100-RE4	3-1/2" (89mm)	8-1/2" (216mm)	6" (152mm)
KL83-4000-RE4	3-1/2" (89mm)	8-1/2" (216mm)	6" (152mm)
KL83-4102-RE4	6" (152mm)	9-1/2" (241mm)	5-1/2" (140mm)
KL83-4002-RE4	6" (152mm)	9-1/2" (241mm)	5-1/2" (140mm)
KL83-4101-RE4	8-1/2" (216mm)	12-1/2" (317mm)	6-1/4" (159mm)
KL83-4001-RE4	8-1/2" (216mm)	12-1/2" (317mm)	6-1/4" (159mm)

For a complete list of available options for KL83-4000-RE4 Series, see product configurator on reverse.

#### COMPLIES WITH:

ASME A112.18.1-2005  
CSA B125.1-05  
NSF/ANSI 61/9, ANNEX G  
SECTION 116875 OF THE CALIFORNIA HEALTH & SAFETY CODE (COMMONLY KNOWN AS AB1953)  
VERMONT ACT 193  
UNIFORM PLUMBING CODE



## Faucet Configuration for KL83-4000-RE4 Series

