

PROJECT NAME: _____

LOCATION: _____

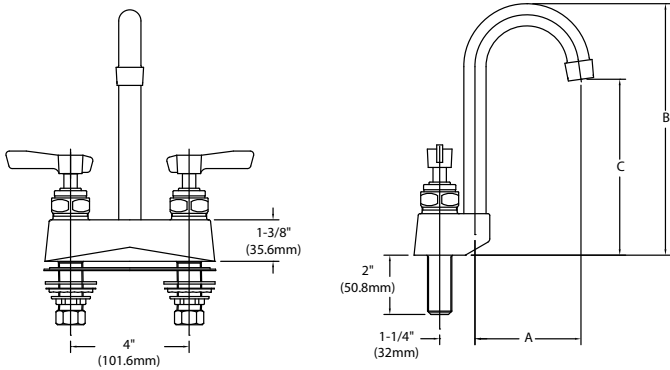
SPECIFIER ITEM NO. _____ **QTY:** _____

ENCORE PART NO. _____

Encore[®] 4" (102mm) Deck Mount Faucet with Rigid Gooseneck Spout and Lever Handles

KL83-4x0x-RE1 Series

- KL83-4100-RE1 3" Spout, Ceramic Valves
- KL83-4000-RE1 3" Spout, Compression Valves
- KL83-4102-RE1 6" Spout, Ceramic Valves
- KL83-4002-RE1 6" Spout, Compression Valves
- KL83-4101-RE1 8" Spout, Ceramic Valves
- KL83-4001-RE1 8" Spout, Compression Valves



Dimensions shown in inches (mm) are for reference only and are subject to change.

1-1/8" (29mm) holes for deck are recommended to accommodate 1/2" supply nipples
1/2" NPSM Male Inlets
Operating Temperature: 40-180°F (5-83°C)
Operating Pressure: 15-125psi

Approximate shipping weight - 5 lbs
Warranty - 2 years parts

Solid heavy duty cast body is specification and commercial quality.

Commercial Quality Features

- Rigid gooseneck spout design
- ADA-compliant lever handles
- Built-in check valves to prevent cross-flow and back-flow

SANIGUARD[®] Product Protection

- Permanently incorporated on all touch points of Encore plumbing fixtures
- Inorganic, silver ion technology inhibits growth of common bacteria, yeasts, mold and fungi, minimizes cross-contamination

SPECIFICATIONS:

Deck Mount Faucet to be Encore KL83 Series in the following configuration:

- ___ KL83-4100-RE1 3" Spout, Ceramic Valves
- ___ KL83-4000-RE1 3" Spout, Compression Valves
- ___ KL83-4102-RE1 6" Spout, Ceramic Valves
- ___ KL83-4002-RE1 6" Spout, Compression Valves
- ___ KL83-4101-RE1 8" Spout, Ceramic Valves
- ___ KL83-4001-RE1 8" Spout, Compression Valves

Faucet body to be constructed of polished chrome plated brass with total lead content less than 0.25% by weighted average. Handles to be incorporated with SANIGUARD treatment. Supply inlets to be 4" on center. Valves to be 1/4-turn with integral check valve to prevent cross-flow and back-flow. Spout to be rigid gooseneck style. Color coded temperature indexes shall meet international standards. 2.2gpm aerator @ 60psi standard with full flow stream bubbler screen spout tip.

Model No.	A	B	C
KL83-4100-RE1	3-1/2" (89mm)	8-1/2" (216mm)	6" (152mm)
KL83-4000-RE1			
KL83-4102-RE1	6" (152mm)	9-1/2" (241mm)	5-1/2" (140mm)
KL83-4002-RE1			
KL83-4101-RE1	8-1/2" (216mm)	12-1/2" (317mm)	6-1/4" (159mm)
KL83-4001-RE1			

For a complete list of available options for KL83-4000-RE1 Series, see product configurator on reverse.

COMPLIES WITH:
THE FEDERAL "REDUCTION OF LEAD
IN DRINKING WATER ACT" -
2011 - US SENATE BILL NO. S.3874
NSF/ANSI 61/9, ANNEX G



Faucet Configuration for KL83-4000-RE1 Series

