

PROJECT NAME: _____

LOCATION: _____

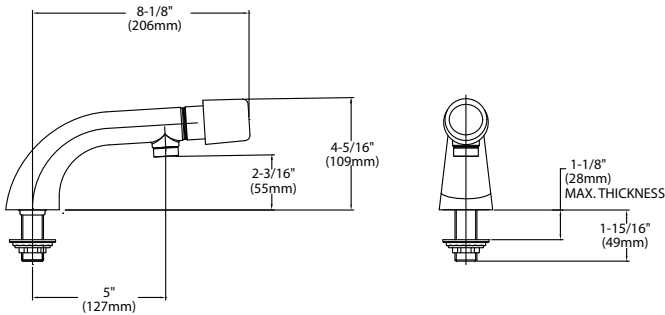
SPECIFIER ITEM NO. _____ **QTY:** _____

ENCORE PART NO. _____

Encore[®] Single Post Basin Tap with Metering Handle

KL87-8205-xx Series

- KL87-8205-CE Cold Handle
- KL87-8205-HE Hot Handle
- KL87-8205-UE Universal Handle



Dimensions shown in inches (mm) are for reference only and are subject to change.

1/2" NPSM Male Inlet
 Operating Temperature: 40-180°F (5-83°C)
 Operating Pressure: 15-125psi
 Note: 1-1/8" (29mm) hole for deck is recommended to accommodate 1/2" supply nipple.

Approximate shipping weight - 3 lbs
 Warranty - 2 years parts

Solid heavy duty cast body is specification and commercial quality

Commercial Quality Features

- 5" cast spout design
- ADA-compliant metering handle

SANIGUARD[®] Product Protection

- Permanently incorporated on all touch points of Encore plumbing fixtures
- Inorganic, silver ion technology inhibits growth of common bacteria, yeasts, mold and fungi, minimizes cross-contamination

SPECIFICATIONS:

Deck Mount Single Post Basin Tap to be Encore KL87-8205 Series in the following configuration:

- _____ KL87-8205-CE Cold Handle
- _____ KL87-8205-HE Hot Handle
- _____ KL87-8205-UE Universal Handle

Faucet body to be constructed of polished chrome plated brass with total lead content less than 0.25% by weighted average. Metering handle to be incorporated with SANIGUARD treatment. Spout to be 5" cast with an adjustable cycle time preset to 25 seconds at 60 PSI. Unit shall be furnished with a 0.5 MAX GPM (0.9 L) at 60 PSI vandal resistant aerator. Unit shall accommodate installations up to 1-1/2" (38mm) thick.

COMPLIES WITH:
 ASME A112.18.1-2005
 CSA B125.1-05
 NSF/ANSI 61/9, ANNEX G
 SECTION 116875 OF THE
 CALIFORNIA HEALTH & SAFETY CODE
 (COMMONLY KNOWN AS AB1953)
 VERMONT ACT 193
 UNIFORM PLUMBING CODE

