

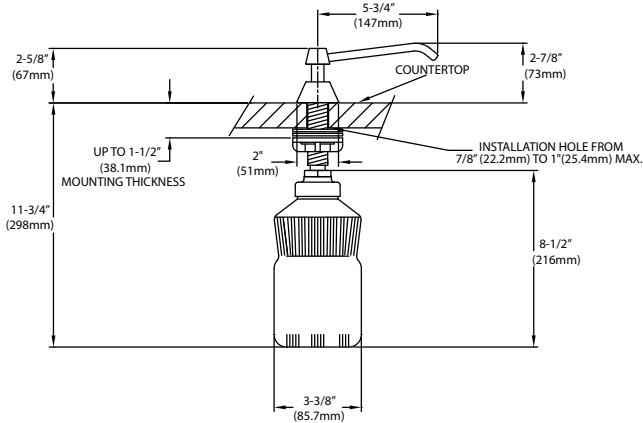
PROJECT NAME: _____

LOCATION: _____

SPECIFIER ITEM NO. _____ **QTY:** _____

ENCORE PART NO. _____

Encore[®] Manual Soap Dispenser
KS10-1000



Dimensions shown in inches (mm) are for reference only and are subject to change.

Approximate shipping weight - 1.3 lbs
 Warranty - 2 years parts

Manual soap dispenser with SANIGUARD[®]

Commercial Quality Features

- 5-3/4" (146mm) free-turning spout
- White polyethylene bottle
- 32 fl. oz. (950ml) capacity
- No dripping when in use
- Chrome plated brass spout stem
- Vandal resistant locking cover (locking key included)

SANIGUARD Product Protection

- Permanently incorporated on all touch points of Encore plumbing fixtures
- Inorganic, silver ion technology inhibits growth of common bacteria, yeasts, mold and fungi, minimizes cross-contamination

SPECIFICATIONS:

Manual soap dispenser to be Encore KS10-1000 in the following configuration.

Dispenser to dispense liquid soaps and lotions from 32 fl. oz. (950ml) polyethylene bottle. Pump assembly to operate with one hand and require less than 5 lb. of force for ADA compliance. Stainless steel 5-3/4" spout to rotate freely without damaging the pump assembly. Piston and spout to be constructed of 304 stainless steel with polished #4 finish. The escutcheon is polished chrome plated brass. It is to be vandal resistant and shall screw on to the threaded tube using a locking key provided. Pump assembly shall be removable for top filling and maintenance. Spout stem incorporates SANIGUARD treatment. Threaded tube accommodates up to 1-1/2" (38mm) countertop thickness.

