

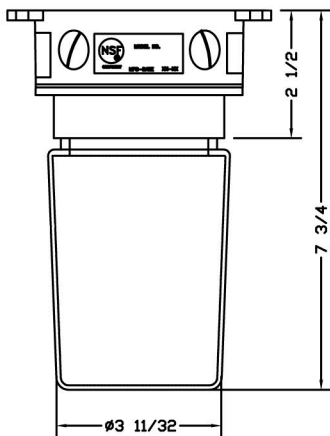
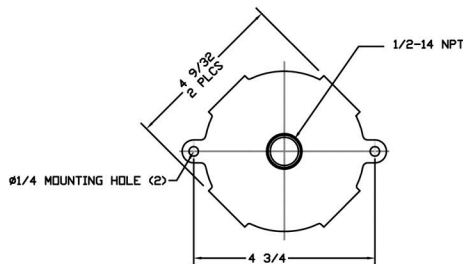


1890 Swarthmore Avenue, PO Box 2020, Lakewood, NJ 08701
 Phone: 800-526-3694, 732-363-4700, Fax: 732-364-8110
 www.keilhardware.com • www.componenthardware.com

PROJECT NAME: _____
LOCATION: _____
SPECIFIER ITEM NO. _____ **QTY:** _____
KEIL PART NO. _____

Keil® LED Light for Walk-in Refrigeration

VXS-LEDN10PC



Dimensions shown in inches (mm) are for reference only and are subject to change.

90-260 VAC*, 50/60Hz
 Operating Temperature: -20°F to 140°F (-30°C to 60°C)

Warranty - 5 years
 Shipping weight - 3lbs

*UL Listing for 120V, 60Hz application only.

LED light for walk-in coolers & freezers

High Efficiency, Environmentally Friendly

- Low wattage - high output
- Instant-on; no ballast to warm up; no buzzing or flickering
- Rated for 50,000 hour life
- Mercury-free
- Exceeds Federal Energy Act requirement
- Unbreakable polycarbonate enclosure
- No ultraviolet emission; will not attract insects
- 1040 lumens - 104 lumens per watt, 4500K
- 180 degree beam angle floods the workspace with light



File No. E80045