

900 MHz Sensors

OVERVIEW

Accurate data logging and reporting is necessary to ensure compliance. NotifEye™ offers 24/7 remote temperature, humidity and contact (door open/close) monitoring. It is an exception-based system; only when preset limits are exceeded are alert notifications triggered. All 900 MHz sensors communicate with the ethernet gateway and/or the USB gateway.

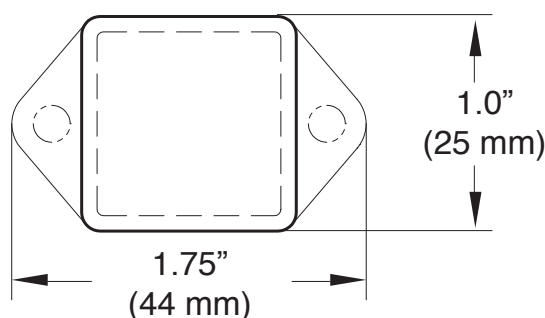
FEATURES	BENEFITS
<ul style="list-style-type: none"> • Cloud-based monitoring • Out-of-the-box setup • Device Range: 250-300 ft non-line-of-sight <i>(Actual range may vary depending on environment)</i> • Battery Life: 2-3 years at 2-hour heartbeat setting <i>(Battery life is determined by frequency of heartbeat)</i> 	<ul style="list-style-type: none"> • Data can be accessed via the internet • Self-installable, no technicians or installation fees • Ideal for small businesses, close quarters, etc. • Long battery life, minimal maintenance required
<p>Specifications:</p> <ul style="list-style-type: none"> • Ambient Operating Range: -7° to 60°F (20° to 140°C) • Dimensions: (L x W x H) 1.75" x 1.0" x 0.75" (44 mm x 25 mm x 19 mm) • Probe Lead Length: 3 ft. (0.91 m)* • Communication: 900 MHz • Antenna: 4" (101 mm) wire antenna • Power: Replaceable 3.0 V coin cell battery (CR2032) • 1-year warranty 	<p>15100 Temperature Sensor</p> <ul style="list-style-type: none"> • Probe Temperature Range: -40° to 257°F (-40° to 125°C) • Accuracy: ±1.8°F (±1°C) <p>15120 Humidity Sensor</p> <ul style="list-style-type: none"> • Relative Humidity Range: 0-100% RH • Accuracy: ±2% under normal conditions (50-90% RH) <p>15130 Contact Sensor</p> <ul style="list-style-type: none"> • Magnet operation gap up to 0.75" • SPST, gold under-plating contact with Deactivated Rhodium outer-plating

* Temperature sensors available with longer probe leads:

15100-10 - 10 ft. (3.05 m)

15100-30 - 30 ft. (9.14 m)

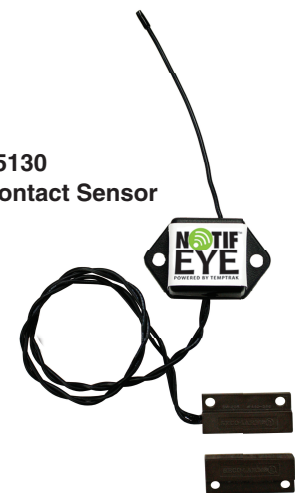
**ACTUAL
SIZE**



**15100
Temperature Sensor**



**15130
Contact Sensor**



**15120
Humidity Sensor**

