

Combi Steamer

Stacking Kits for:

6.10 on 6.10, 6.10 on 10.10,
 6.20 on 6.20, 6.20 on 10.20

- Stainless steel stacking kits for Convotherm 4 models.



Stacking Kits for Electric Models:

Part #	Description	Page
3455861	for 6.10 on 6.10/10.10 with 6" legs (150mm)	2
3456266	for 6.10 on 6.10 with 12" base (300mm)	3
3455864	for 6.20 on 6.20/10.20 with 6" legs (150mm)	4
3456267	for 6.20 on 6.20 with 12" base (300mm)	5

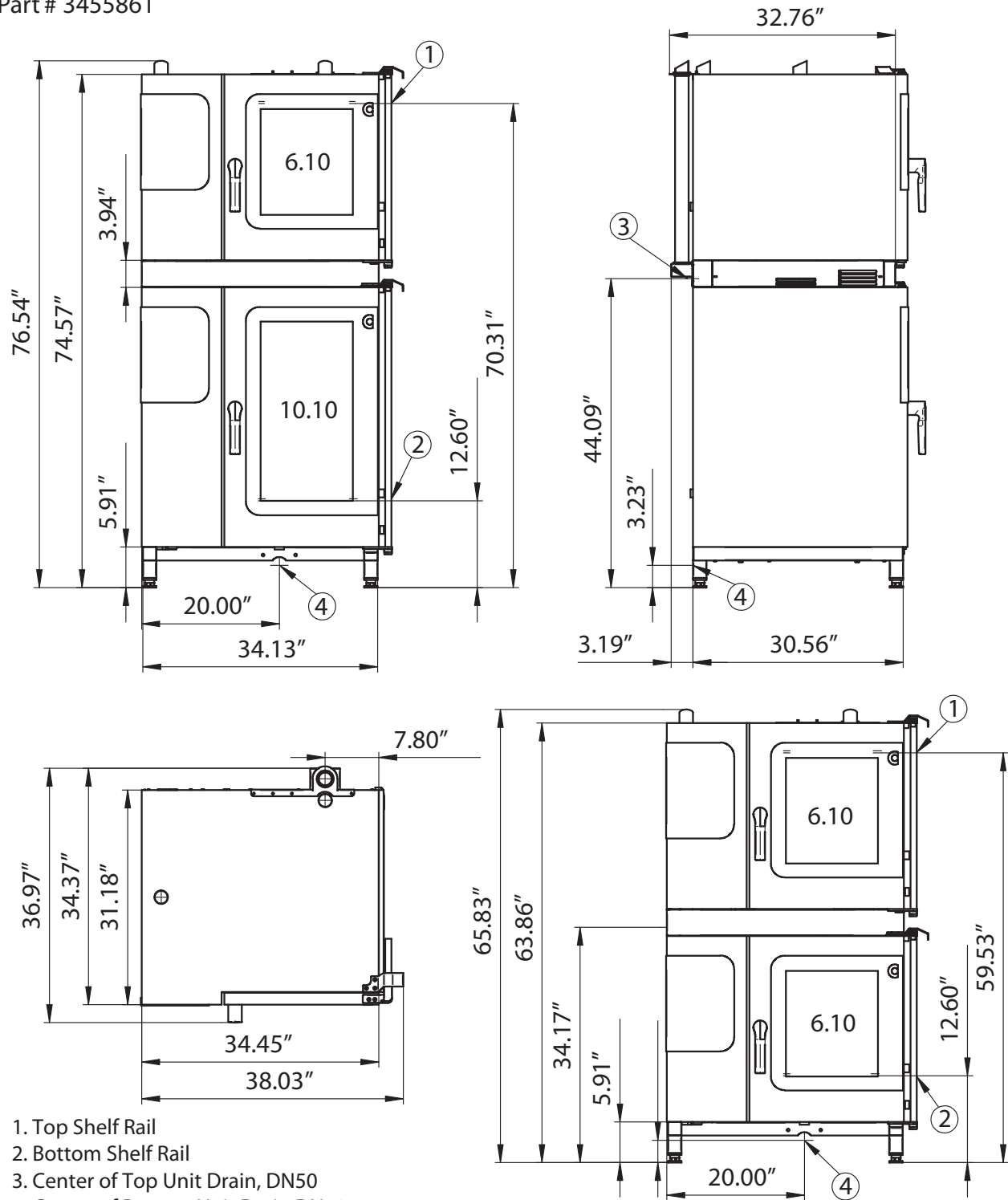
Stacking Kits for Gas Models:

Part #	Description	Page
3456171	for 6.10 on 6.10/10.10 with 6" legs (150mm)	6
3456276	for 6.10 on 6.10 with 12" base (300mm)	7
3456174	for 6.20 on 6.20/10.20 with 6" legs (150mm)	8
3456277	for 6.20 on 6.20 with 12" base (300mm)	9

Stacking Kits - Convotherm 4

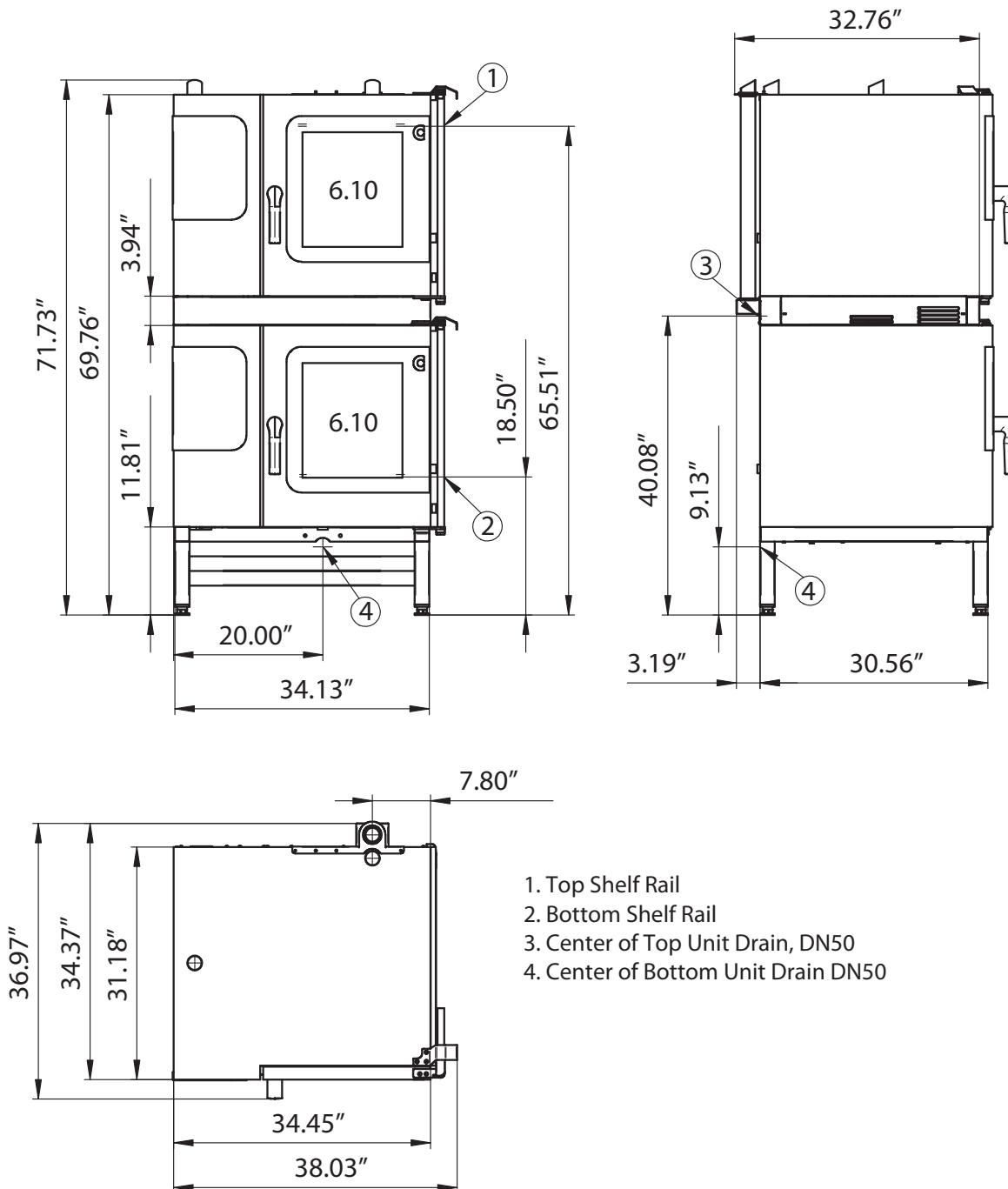
Stacking Kit for stacking electric Convotherm 4 models:
6.10 on 6.10 & 6.10 on 10.10

Part # 3455861



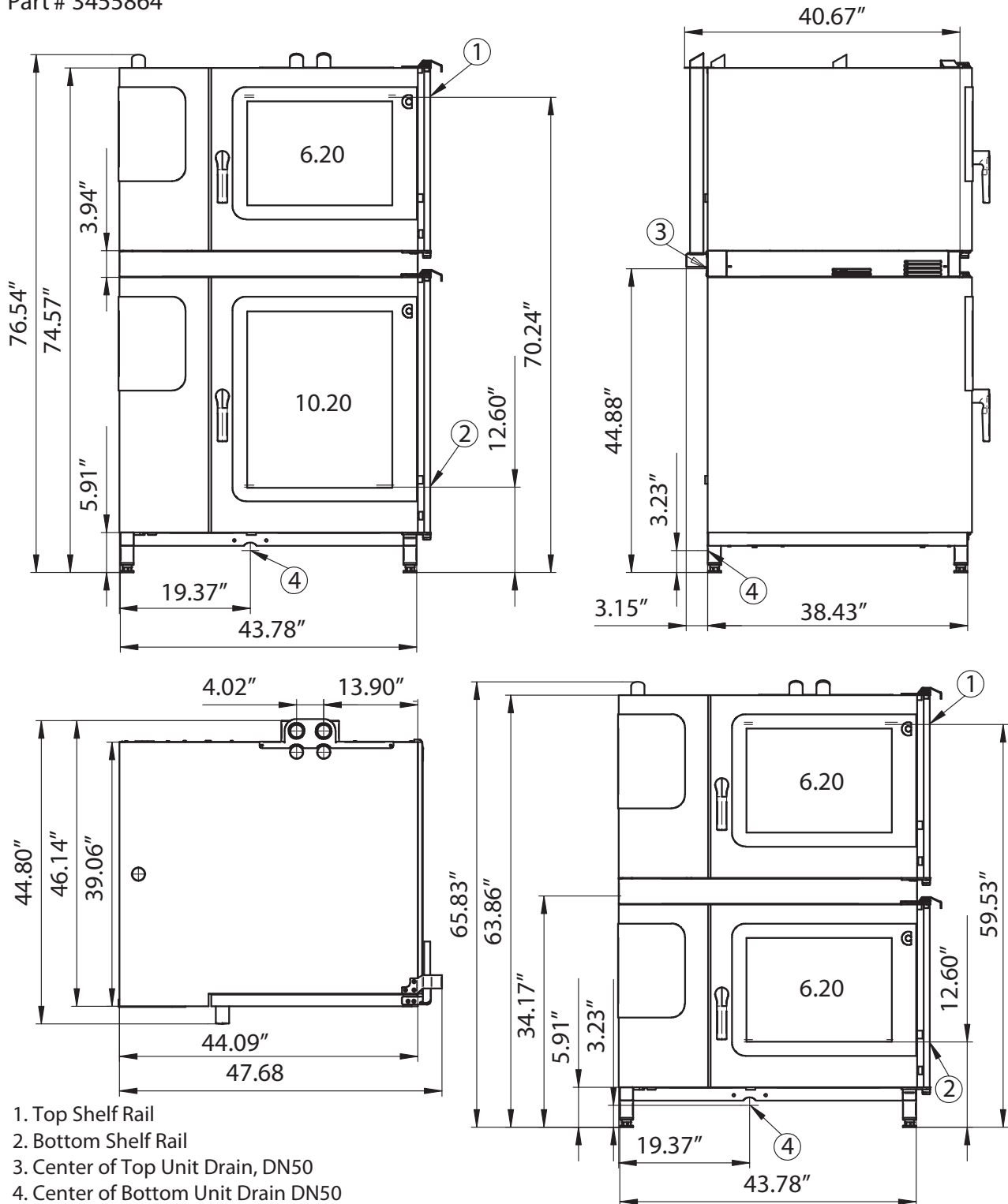
Stacking Kit for stacking two (2) 6.10 electric Convotherm 4 models on a 11" 13/16" high base:

Part # 3456266



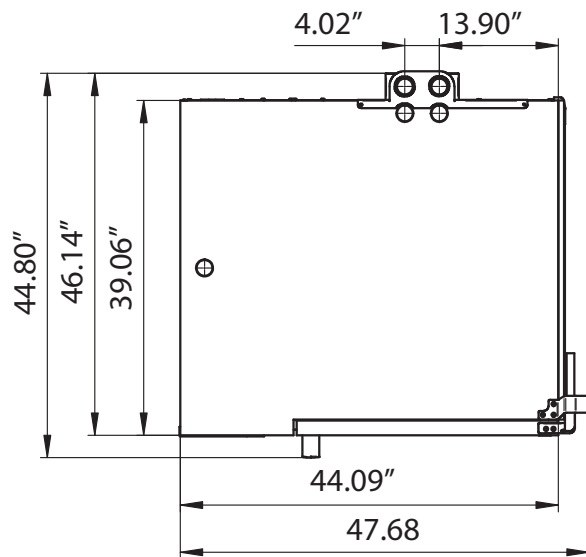
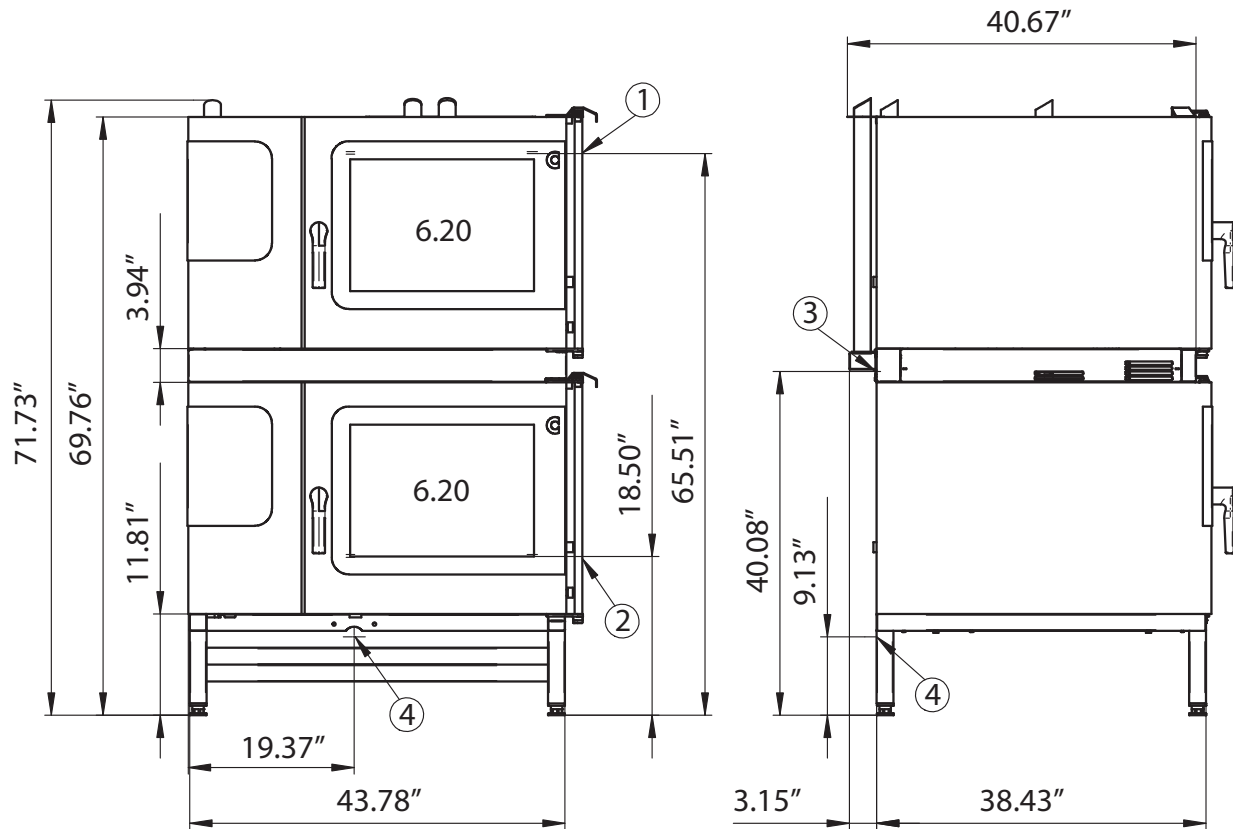
Stacking Kit for stacking electric Convotherm 4 models:
6.20 on 6.20 & 6.20 on 10.20

Part # 3455864



Stacking Kit for stacking two (2) 6.20 electric Convotherm 4 models on a 11" 13/16" high base:

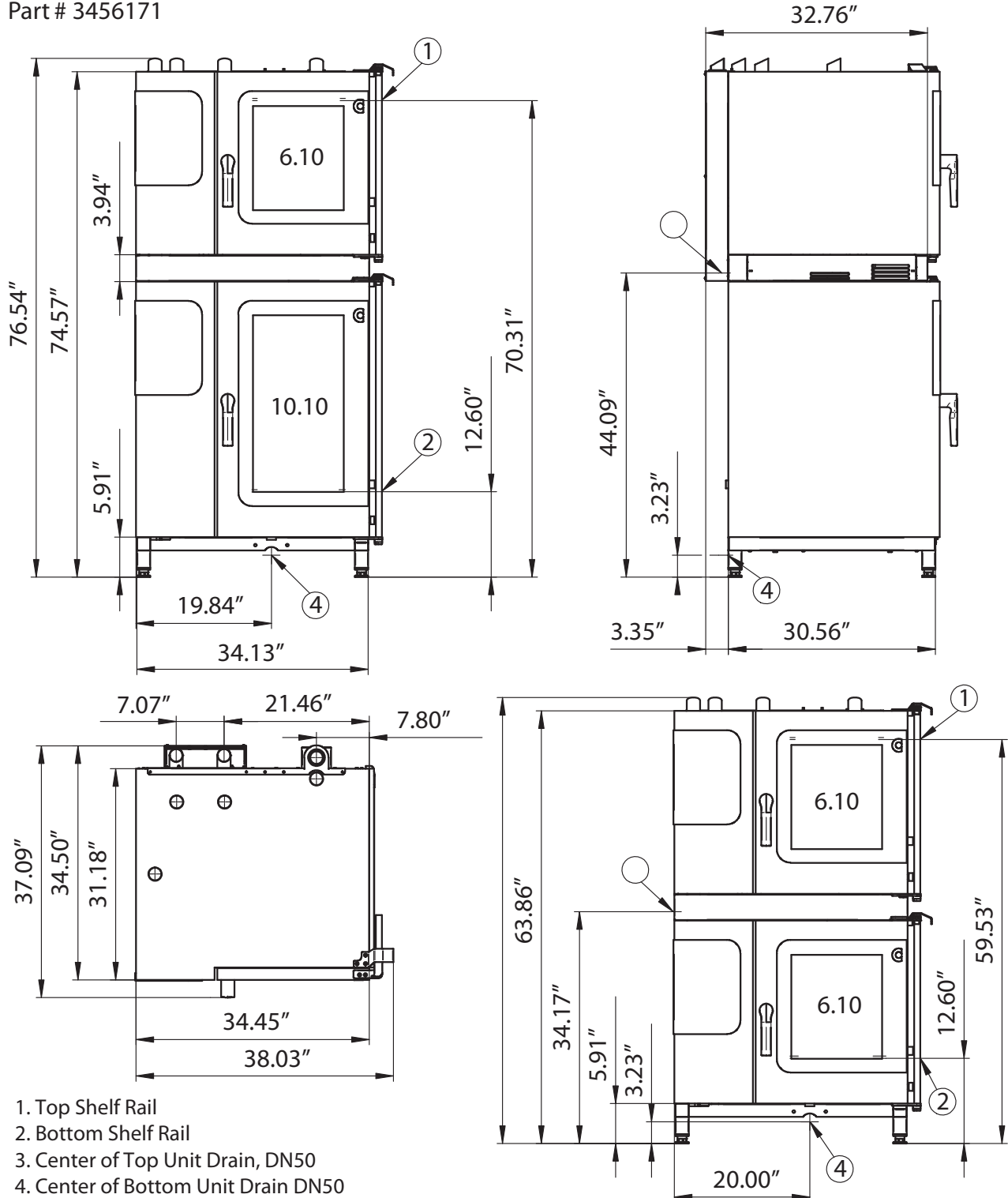
Part # 3456267



- 1. Top Shelf Rail
- 2. Bottom Shelf Rail
- 3. Center of Top Unit Drain, DN50
- 4. Center of Bottom Unit Drain DN50

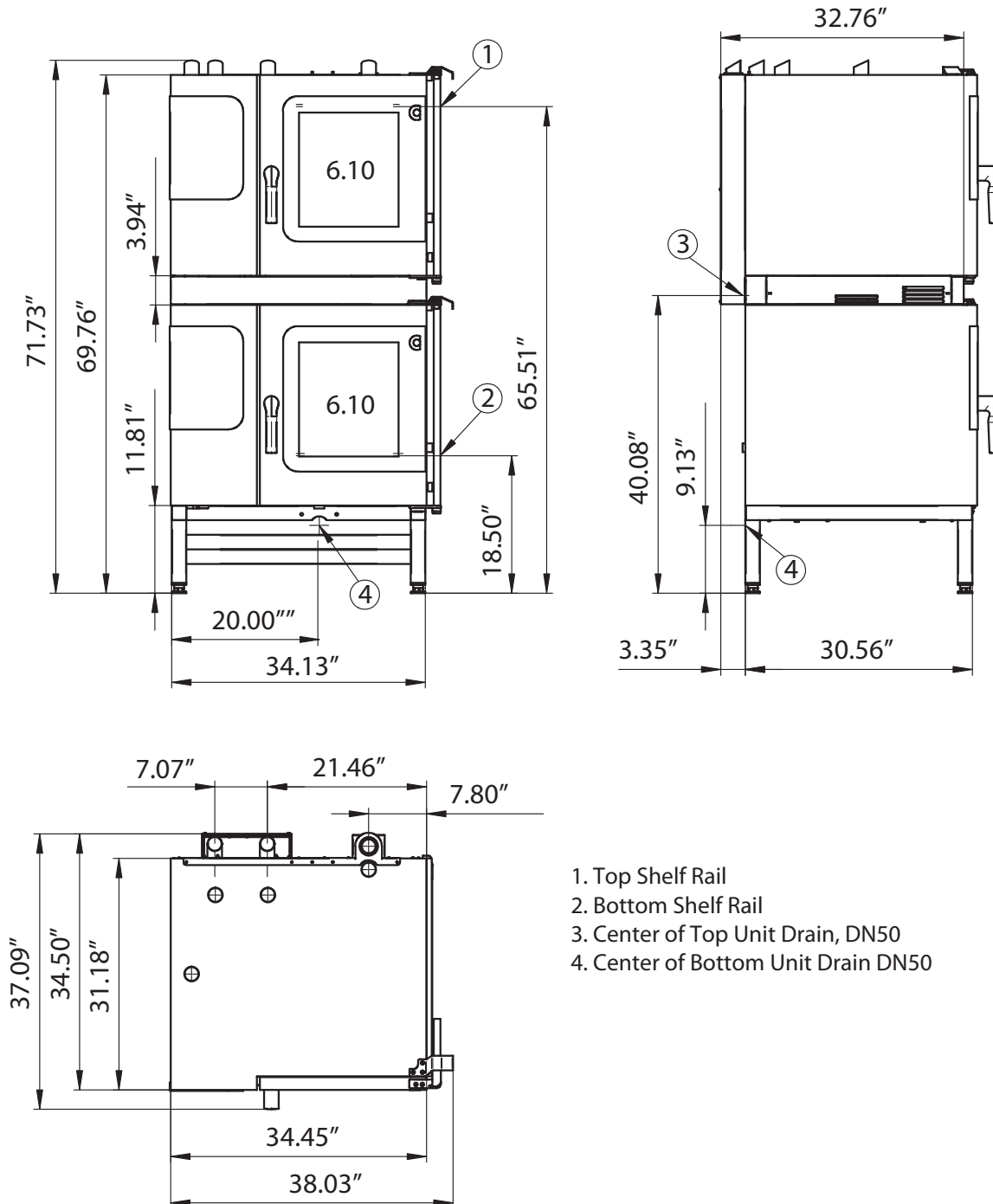
Stacking Kit for stacking gas Convotherm 4 models:
6.10 on 6.10 & 6.10 on 10.10

Part # 3456171



Stacking Kit for stacking two (2) 6.10 gas Convotherm 4 models on a 11" 13/16" high base:

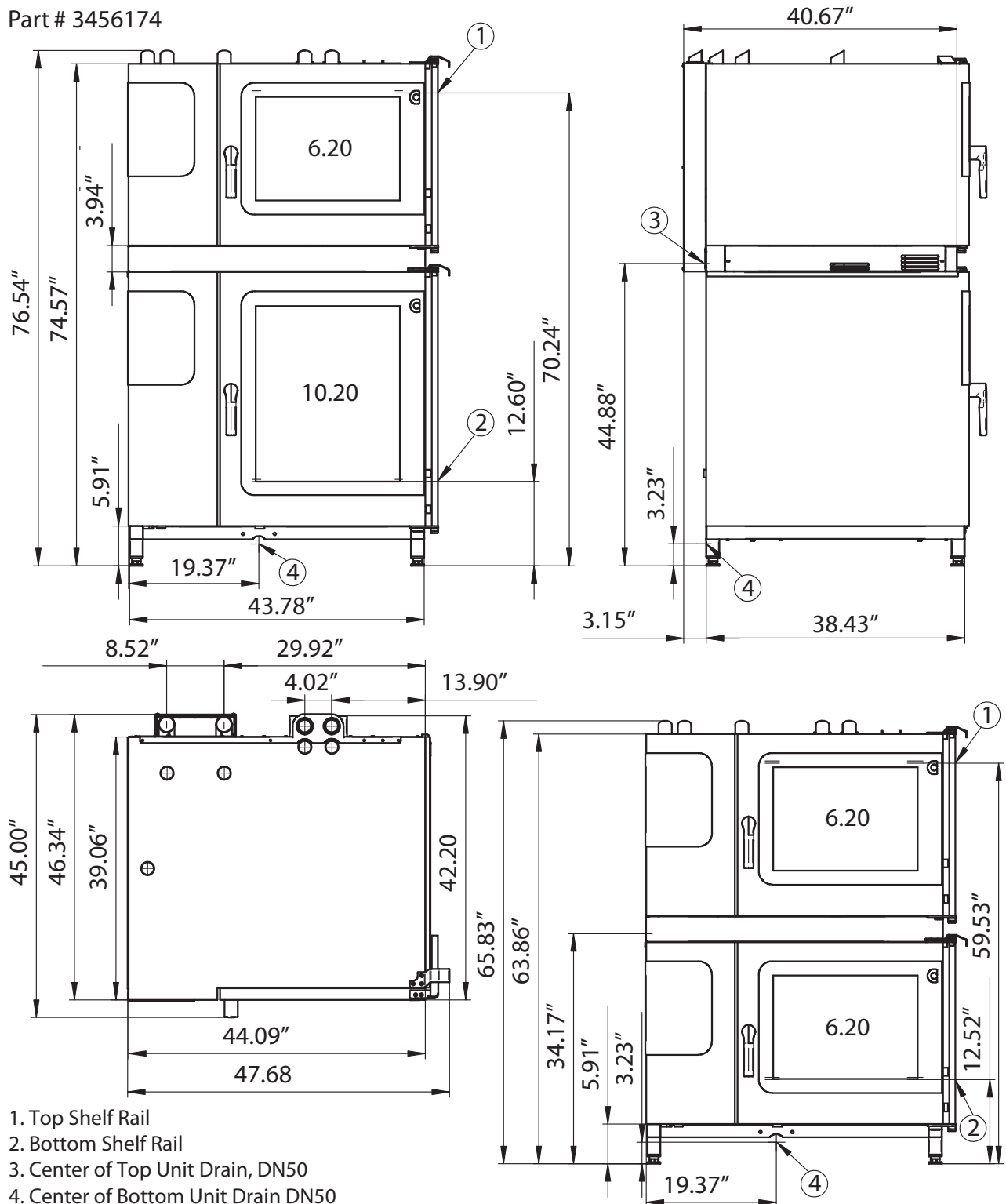
Part # 3456276



1. Top Shelf Rail
2. Bottom Shelf Rail
3. Center of Top Unit Drain, DN50
4. Center of Bottom Unit Drain DN50

Stacking Kit for stacking gas Convotherm 4 models:
6.20 on 6.20 & 6.20 on 10.20

Part # 3456174



1. Top Shelf Rail
2. Bottom Shelf Rail
3. Center of Top Unit Drain, DN50
4. Center of Bottom Unit Drain DN50

Stacking Kit for stacking two (2) 6.20 gas Convotherm 4 models on a 11" 13/16" high base:

Part # 3456277

