

## **NON-INSULATED HOT CABINET MODEL 130-1836D**

### **FEATURES AND BENEFITS:**

- Non-Insulated hot cabinet to keep prepared foods at serving temperatures.
- Powerful, yet efficient, heating system maintains the right temperature to properly hold products. 2000 Watt heater holds foods at up to 180°F (82°C).
- Body constructed of non-corrosive, Hi-Tensile aluminum with extruded frame fully welded for strength and ease of mobility.
- Perimeter door gasket minimizes heat loss.
- Reinforced, brushed aluminum door. Standard with right hand hinging; left hand hinging available upon request.
- Gravity type latch secures door during transport.
- Corrugated sidewalls securely hold 18" x 26" pans on 1-1/2" centers without tipping.
- Controls accessible without opening door; allows adjustments without interrupting process.
- Slanted control panel has easy-to-read thermometer; entire assembly removable for cleaning and maintenance.
- Heavy duty 5" swivel casters, two with brakes. Provides mobility when fully loaded.



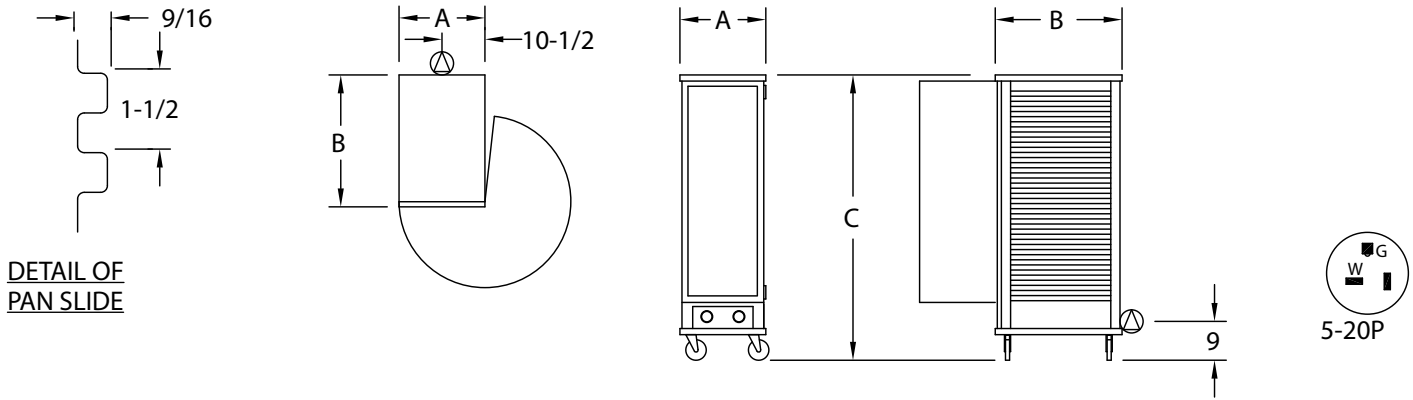
130-1836D



### **ACCESSORIES and OPTIONS (Available at extra cost):**

- Dutch Doors
- Lexan Door
- Lock Hasp
- Corner Bumpers
- Perimeter Bumper
- Floor Lock (for use with 5" casters)
- Various Caster Options
- Digital Thermometer
- 208 or 240 Volt Service

See page B-20 for accessory details.



CRES COR MODEL NO.	PAN			DIM "A"	DIM "B"	DIM "C"	INSIDE DIMENSIONS				WEIGHT ACT.
	CAP	SIZE		WIDTH	DEPTH	HEIGHT	WIDTH	DEPTH	HEIGHT		
130-1836D	34	18 X 26	IN	20-7/8	29-3/16	69-3/4	18-1/16	26-1/4	53-1/2	LBS	148
		460 X 660	MM	530	745	1775	460	670	1360	KG	67

NOTES: 1. Send sample pan or tray with order when using any that are not 18" x 26" pans with heavy beaded edges.  
 2. When ordering bumpers, add 2" to overall dimensions.

ALL ALUMINUM CONSTRUCTION IS RIVETED, WELDED AND FINISHED.

**CABINET:**

- Top: One piece .100 aluminum.
- Posts: Extruded channels, 1 x 2 x .125, welded to top and base, form a solid frame.
- Sides: .063 corrugations riveted to posts.
- Back: .063 panel fitted into posts, riveted to top and reinforced.
- Tie rod: Applied at front of cabinet.
- Air tunnel: .063 aluminum; lift-out type, mounted on back panel.

**BASE:**

- One piece construction, .190 aluminum.
- Casters: 5" dia., swivel, modulus tires, 1-1/4 wide, load cap. 250 lbs. each, temp. range -45°/+180°F. Delrin bearings. Front casters equipped with brakes.

**DOOR:**

- Panel: .063 brushed aluminum, fitted into door frame extrusions, 13/16 x 1-11/16 x .154; Black powder coated.
- Latch: Gravity type, nickel plated steel.
- Hinges (2): 11 ga (.120) stainless steel; swings 270°.
- Gasket: Perimeter type, Santoprene rubber.

**PAN SLIDES:**

- Corrugations act as pan slides on 1-1/2" centers.

**HOT UNIT COMPONENTS:**

- Removable bottom mount hot unit.
- Body: Formed .063 aluminum with black control panel.
- Thermostat: Mechanical, room ambient to 180°F (82°C).
- Switch: ON-OFF rocker type.
- Power light.
- Power cord: Permanent, 6 ft., 12/3 ga. with molded plug.
- Heater: 1920 Watts.
- Blower motor.
- Thermometer.

**POWER REQUIREMENTS:**

- 1920 Watts, 120 Volts, 60 Hz., single phase, 16 Amps., 20 Amp. service.

**SHORT FORM SPECIFICATIONS**

Cres Cor Hot Cabinet Model 130-1836D. Formed and welded .100 aluminum top, .190 aluminum base. No-tip .063 corrugated aluminum sides for (34) 18" x 26" pans on 1-1/2" centers. Brushed .063 aluminum door. Removable 1920 Watt, 120 Volt power unit. Controls accessible without opening door. 5" swivel modulus casters, Delrin bearings. Load capacity 250 lbs. each. 1-Year Parts / 90-Day Labor warranty. Provide the following accessories: \_\_\_\_\_ CSA-US, CSA-C, CSA to NSF4 listed.



5925 Heisley Road • Mentor, OH 44060-1833  
 Phone: 877/CRESCOR • Fax: 440/350-7267  
 www.crescor.com

© Crescent Metal Products, Inc. 2011 All rights reserved.

*In line with its policy to continually improve its products, CRES COR reserves the right to change materials and specifications without notice.*

Litho in U.S.A.