

INSULATED HALF-SIZE TRANSPORT CABINETS 309 SERIES

(FOR 18" X 26" PANS)

FEATURES AND BENEFITS:

- Fully insulated half-size cabinet for transport of cold or hot foods.
- Internal frame in body and door for structural rigidity.
- Body constructed of non-corrosive, Hi-Tensile aluminum for strength and ease of mobility.
- Safety-conscious anti-microbial latch protects against spreading germs.
- Insulated field reversible door for flexibility. Standard with right hand hinging; left hand hinging available upon request.
- Magnetic latch for "easy open"; twist-lock catch secures door during transport. Latch and hinges mounted inboard.
- Removable wire pan supports for easy cleaning. Variety of pan supports available:
 - Angle supports for 18" x 26" pans on 2-3/4" centers. Model 309-188C
 - Wide angle supports for 18" x 26" pans and 12" x 20" pans on 2-3/4" centers. Model 309-12-188C
 - Channel supports for 18" x 26" pans on 1-1/2" centers. Model 309-1813C
- Interior pan stops on inside of door and back allow for proper air flow.
- Convenient lift handles fold flat against sides of cabinet.
- Heavy duty 5" swivel casters, two with brakes. Staggered mounting provides mobility when fully loaded especially over uneven surfaces.
- Cabinets can be stacked for flexibility; specify optional stacking kit.



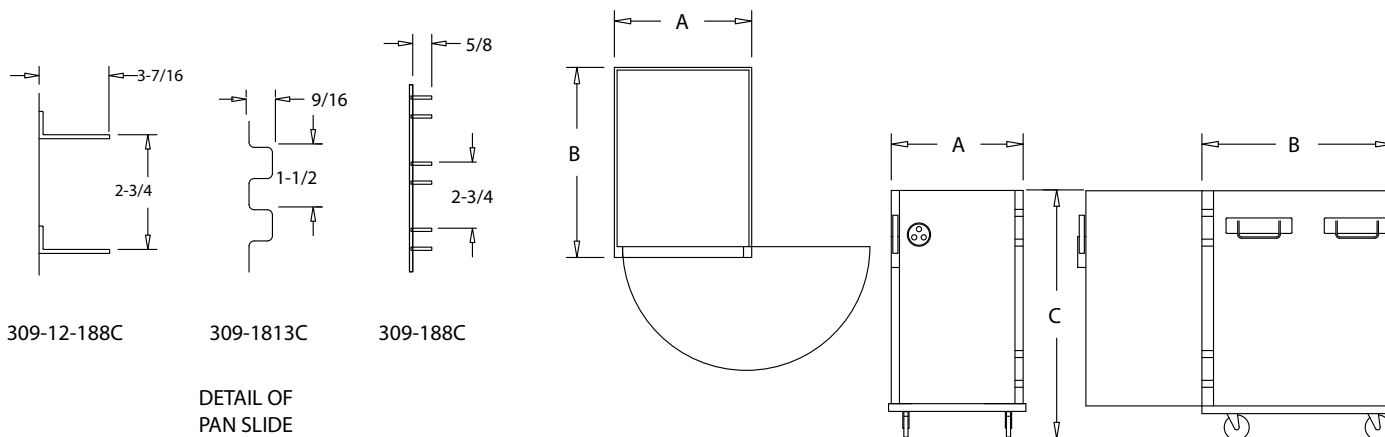
309-188C



ACCESSORIES and OPTIONS (Available at extra cost):

- Key Lock Handle
- Stacking Kit
- Various Caster Options
- Corner Bumpers
- Perimeter Bumper
- Kold Keepers

See page A-20 for accessory details.



CRES COR MODEL NO.	PAN			DIM "A" WIDTH	DIM "B" DEPTH	DIM "C" HEIGHT	INSIDE DIMENSIONS			WEIGHT ACT.	
	CAP	SIZE					WIDTH	DEPTH	HEIGHT		
309-188C	8	18 x 26	IN	23-7/8	32-1/4	33-7/8	18-3/16	26-1/4	24-7/8	LBS	110
		460 x 660	MM	610	820	860	480	670	635	KG	50
309-12-188C	8*	18 x 26	IN	23-7/8	32-1/4	33-7/8	18-3/16	26-1/4	24-7/8	LBS	100
		460 x 660	MM	610	820	860	480	670	635	KG	45
309-1813C	13	18 x 26	IN	23-7/8	32-1/4	33-7/8	18-3/16	26-1/4	24-7/8	LBS	110
		460 x 660	MM	610	820	860	480	670	635	KG	50

*Will also carry 12" x 20" pans, capacity 8.
When ordering bumpers, add 2" to overall dimensions.

ALL ALUMINUM CONSTRUCTION IS RIVETED, WELDED AND FINISHED.

CABINET:

- Body: .063 aluminum.
- Reinforcement: Internal framework of channels, 1 x 3/4 x .125.
- Insulation: Fiberglass, thermal conductivity (K factor) is .23 at 75°F. 1-1/2" in walls and door; 1" in top and bottom.
- Pan stop channels: Mounted to inside rear of cabinet and door.
- Bail handles: Two mounted on each side.

BASE:

- One piece construction, .190 aluminum.
- Casters: 5" dia., swivel, modulus tires, 1-1/4 wide, load cap. 250 lbs. each, temp. range -45°/+180°F. Delrin bearings.
- Front casters equipped with brakes.

DOOR:

- Field reversible.
- Formed .063 aluminum.
- Latch: Anti-microbial chrome plated zinc with composite handle, magnetic type; mounted inboard.
- Hinges: Heavy duty chrome plated zinc; mounted inboard.
- Gasket: Perimeter type, silicone.
- Transport latch.

PAN SLIDES:

- 309-188C, 309-12-188C: Flat wire racks, .104 x 5/8 nickel chrome plated steel, spaced on 2-3/4" centers.
- 309-1813C: Corrugations act as pan slides on 1-1/2" centers.

SHORT FORM SPECIFICATIONS

Cres Cor Half-Size Insulated Cabinet Model 309-____C.
 Inner, outer and top liners of .063 aluminum, reinforced with channels. Formed .063 aluminum door. Fiberglass insulation in walls and door 1-1/2"; top and bottom 1".
 Welded and finished .190 aluminum base. Removable pan supports for () 18" x 26" pans or () 12"x 20" pans. Two bail handles on each side. 5" swivel modulus casters, Delrin bearings. Load capacity 250 lbs. each.
 2-Year Parts / 1-Year Labor warranty. Provide the following accessories: _____. NSF listed.



5925 Heisley Road • Mentor, OH 44060-1833
 Phone: 877/CRESCOR • Fax: 440/350-7267
 www.crescor.com

© Crescent Metal Products, Inc. 2011 All rights reserved.

In line with its policy to continually improve its products, CRES COR reserves the right to change materials and specifications without notice.

Litho in U.S.A.