

HOTCUBE³™ TRI-POWERED INSULATED INDOOR/OUTDOOR HOT CABINET MODEL HC-UA-11

FEATURES AND BENEFITS:

- Industry's first hybrid heated hot cabinet allowing you to hold food safe indoors or out with or without a cord!
- Allows you the flexibility to use indoors with standard 120 Volt electric, then unplug and use outdoors via new propane fuel hybrid heat system.
- Fully insulated 3/4 size holding cabinet keeps prepared foods at proper serving temperatures.
- Powerful, yet efficient, 1500 Watt heating system maintains the right temperature to properly hold products utilizing electric or 8700 BTU's of propane fuel. Heats up to 200°F (93°C).
- Battery indicator shows current battery status. Optional solar panel charges battery for optimum control efficiency when no electric capabilities are available.
- Utilizes standard 1 lb. propane tanks for up to 8 hours of hold time. Recessed well provided for spare 1 lb. propane canister. Easily converts to 20 lb. tank system with 20 lb. hose adapter accessory.
- Easy visual sight glass to see propane flame. Audible and visual alarms warns of flame out conditions.
- Internal frame in body maintains structural rigidity. Standard with perimeter bumper to protect cabinet body and walls from damage.
- Eleven sets of chrome plated wire transport angles accommodate a large variety of pan sizes on adjustable 1-1/2" centers. Provides capacity up to 22 12 x 20 steam table plans
- Heavy duty 8" pneumatic swivel casters, two with brakes. Rear casters are fixed to provides mobility when fully loaded, and stability during transport even in tough outdoor conditions.
- Smooth interior coved corners prevent food particle/grease buildup.
- Customize the powder coating with your colors, add your logos or both!

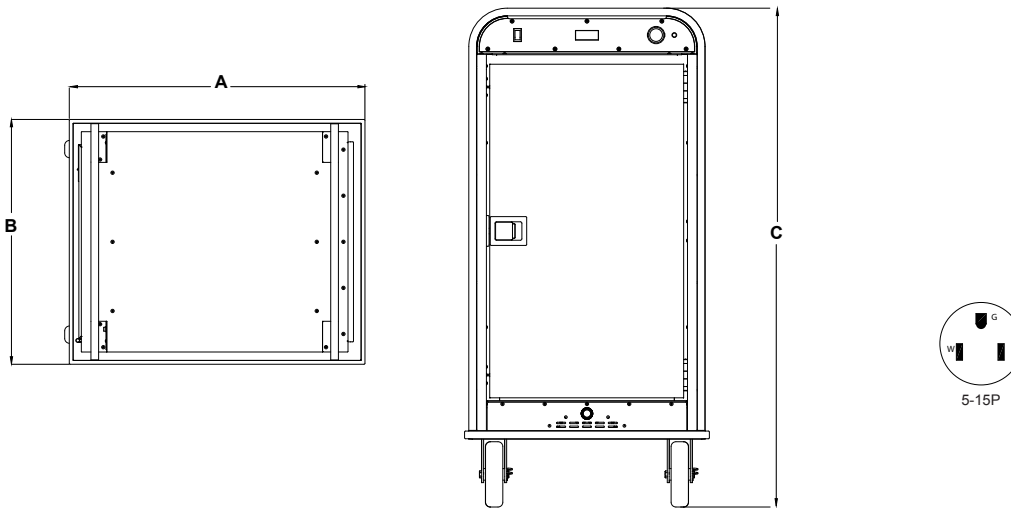


HC-UA-11
(Shown with optional door window)

ACCESSORIES and OPTIONS (Available at extra cost):

- 20 lb. Propane Tank Hose Adapter
- Natural Gas Adapter
- Solar Panel
- Door Window
- Customized Logos/Powder Coating
- Extra Heavy Duty Transport Angles
- Wire Grids
- 6" Hi-Modulus Casters

See page B-20 for accessory details.



CRES COR MODEL NO.	PAN			DIM "A"	DIM "B"	DIM "C"	INSIDE DIMENSIONS				WEIGHT ACT.
	CAP/ANGLES	SIZE		WIDTH	DEPTH	HEIGHT	WIDTH	DEPTH	HEIGHT		
HC-UA-11	11 SETS	SEE NOTE BELOW	IN	31-7/8	38-1/2	65	22	27	42	LBS	335
			MM	810	980	1650	560	690	1070	KG	152

NOTES: 1. Pan sizes 22" x 20" (560 x 510) Roast & Bake Pans, 10" x 20" (255 x 510) Roast & Bake Pans, 18" x 26" (460 x 660) Bun Pans, 14" x 18" (355 x 460) Service Trays, 12" x 20" (305 x 510) Steam Table Pans.
Refer to Pan Size Chart at end of section.

ALL CONSTRUCTION IS RIVETED, WELDED AND FINISHED.

CABINET:

- Inner body: 22 ga. stainless steel.
- Outer body: .063 aluminum, powder coated red.
- Reinforcement: Internal framework of 20 ga. stainless steel.
- Insulation: Fiberglass, thermal conductivity (K factor) is .23 at 75°F. 1-1/2" in door, back, top and sidewalls.
- Push/pull handles (2) powder coated black.
- Interior coved corners.
- 1-1/4" Sight glass for flame detection.

BASE:

- One piece construction, .060 stainless steel.
- Casters: 8" dia., swivel, pneumatic, load cap. 310 lbs. each, Double ball bearings. Front casters equipped with brakes.

DOOR:

- Formed 22 ga. stainless steel.
- Latches: Polished stainless steel, slam type; mounted inboard.
- Gasket: Perimeter type.

PAN SLIDES:

- Wire angles (.306 dia.), nickel chrome plated steel, mounted on lift-off posts.
- Spaced on 3" centers; adjustable on 1-1/2" centers.

HOT UNIT COMPONENTS:

- Propane powered heating system.
- Switch: Selector Gas / Off / Electric.
- Audible and visual alarm.
- Battery indicator.
- Power cord: Permanent, 10 ft., 14/3 ga.
- Heaters: 1500 Watts.
- Thermostat: Digital, room ambient to 200°F.

POWER REQUIREMENTS:

- 1500 Watts, 120 Volts, 60 Hz., single phase, 10 Amps., 15 Amp. service.

SHORT FORM SPECIFICATIONS

Cres Cor Insulated Hot Cabinet Model HC-UA-11 outer of .063 aluminum, stainless steel internal frame. (11) sets wire universal angles for multiple pan sizes, adjustable spacing every 1-1/2". Inner body stainless steel. Fiberglass insulation in sides; doors, back, top, and sidewalls 1-1/2". Interior coved corners. Hose out cleaning capability. 1500 Watt, 120 Volt power unit. One piece base, stainless steel. 8" swivel pneumatic casters, Double ball bearings, two with brakes. Load capacity 310 lbs. each. 2 year parts warranty. 2-Year Parts / 1-Year Labor warranty. Provide the following accessories: _____.



5925 Heisley Road • Mentor, OH 44060-1833
Phone: 877/CRESCOR • Fax: 440/350-7267
www.crescor.com

© Crescent Metal Products, Inc. 2011 All rights reserved.

In line with its policy to continually improve its products, CRES COR reserves the right to change materials and specifications without notice.