



CORRECTIONAL TRANSPORT CART

AMBIENT

for Compartment Trays

CARTER-HOFFMANN



FOOD SERVICE EQUIPMENT
HEATED TRANSPORT CARTS



CAA144
shown with optional tow hitch

Manufacturer	Tray Model	Covered Tray Size (in.)	Approx. Capacity* (each side)
Jones-Zylon	5000 Series	9.4 x 6.8 x 2.7	102
Jones Zylon	9000 Series	11 x 8.88 x 2.3	80
Plastocon	9113	11.19 x 9.19 x 2.75	68
Plastocon	9114	11.19 x 9.19 x 2.69	68
Design Specialties	E-300	8.63 x 6.63 x 2	207
Design Specialties	T-500	14 x 10.5 x 1.13	50**
Design Specialties	FC-431	10.63 x 9.56 x 2.63	64
Design Specialties	FC-442	10.63 x 9.56 x 2.63	64
Temp Tech	T3	6.81 x 9.19 x 1.94	144
Temp Tech	TK3	11.19 x 9.31 x 2.19	84
Temp Tech	T3M	8.56 x 6.56 x 2.06	207
Temp Tech	TVN3	9.44 x 6.81 x 2.5	108
Temp Tech	TKM5	11.19 x 9.31 x 3.06	60
Cambro	853FCW	8.88 x 6.5 x 2.06	138
Cambro	853FHP	8.88 x 6.5 x 2.06	138
Cambro	853FH	8.88 x 6.5 x 2.06	138
Various	Steam Table Pan	12" x 20" x 2.5"	30**
Various	Bun Pan	18" x 26" x 1"	15**

Trays not included.
Contact individual
manufacturers for
trays. Sample tray(s)
required with order.

* Capacity varies according to tray size. Trays NOT included. Contact individual manufacturers for trays. SAMPLE TRAY(S) REQUIRED WITH ORDER.

** Optional tray racks required.

Model Number	Cart Type	Capacity (see chart above) Inside Working Height in (mm)	Overall Dimensions			Caster Diameter		Shipping Weight (est.)	
			Height in mm	Width in mm	Depth in mm	in mm	in mm	lbs kg	
<input type="checkbox"/> CAA144	Ambient/Ambient	47 1/2 (1207)	62 3/8 1584	60 1524	31 1/2 800	8 203	430 195		

CONSTRUCTION... Completely welded cabinet construction and top corners, with outer cabinet formed to base and welded. All seams turned in to eliminate raw edges. All exposed fasteners are tamper resistant. No open crevices or holes. Cabinet divided into two parts with foam insulated divider between the sections.

CABINET MATERIAL... 300 series stainless steel construction; 18 gauge polished exterior and 18 gauge interior.

BASE FRAME... 12 gauge stainless steel full depth bolsters with 1"x1" 16 gauge stainless steel perimeter tube supports welded to bolsters. Bottom of cabinet completely covered to deter concealed contraband.

CASTERS... Six 8" diameter, industrial grade semi-pneumatic casters. Sealed roller bearing and double ball bearing swivel. Zerk grease fittings. Plate mounted and secured to base with tamper-resistant fasteners and hub threads. Offset wheel-ahead pattern. 4 swivel (corners); 2 rigid (center).

BUMPER... Heavy-duty 1/8 aluminum base with non-marking gray vinyl insert. Reinforced with brackets bolted and welded to body of cabinet. Additional reinforcements from bottom of bumper welded to base of cabinet.

INSULATION... High density fiberglass insulation. 2" thick wraparound in sides, bottom, top, doors & center wall.

DOORS... Non-removable, welded double panel stainless steel; 18 gauge polished exterior and 18 gauge interior. Filled with fiberglass insulation. 270 degree door swing. Latchless design with magnetic closures.

HINGES... Heavy-duty 12 gauge stainless steel strap hinges with 3/8" stainless steel pins welded to each door and cabinet

TRANSPORT LATCH... Welded-on 12 gauge stainless steel transport latch with padlock provision.

PUSH HANDLES... Two 3/4" recessed horizontal full width stainless steel tubular push handles with back up plates. Set in 18 gauge recessed housing, reinforced and welded in place.

NESTED TRAY TRANSPORT... Covered trays nest and stack on floor. Optional tray racks for 12x20x2.5" or 18"x26" sheet pans or Design Specialties T-500 meal trays.

ACCESSORIES/OPTIONS...

- Tow hitch (pin type)
- Tray racks; universal slides for pans
- Tray racks; for T-500 trays

SPECIFICATIONS

Specifications subject to change through product improvement & innovation

CARTER-HOFFMANN
1551 McCormick Ave., Mundelein, IL 60060
(847) 362-5500 • (800) 323-9793 • Fax (847) 367-8981
www.carter-hoffmann.com

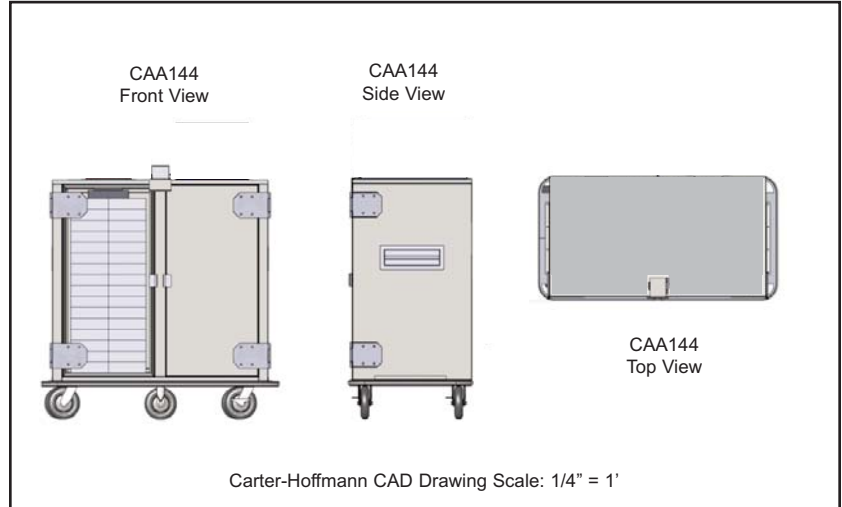
Printed in U.S.A. CAA144 1212
Carter-Hoffmann is a trademark
of Carter-Hoffmann LLC

FEATURES & BENEFITS

CORRECTIONAL TRANSPORT CART

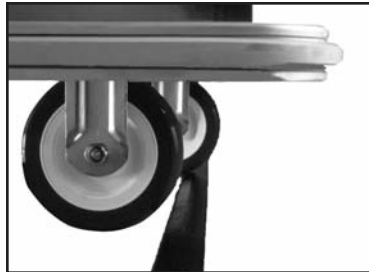
AMBIENT
for Compartment Trays

Since 1947, Foodservice Equipment That Delivers!



FULL PERIMETER BUMPER...

All aluminum with non-marking gray vinyl insert to protect cart and facility walls. Reinforced with angle brackets and bolted on to cabinet.



WHEEL-AHEAD CASTER CONFIGURATION... For easy moving over thresholds and uneven surfaces. Six semi-pneumatic 8" large diameter casters for tight turning radius.

DURABLE DESIGN FOR CORRECTIONAL ENVIRONMENT...

Heavy-duty features include tamper-resistant fasteners, all-welded construction, with strap hinges and concealed bottom to prevent concealment on contraband. Transport latch with padlock provision

RECESSED PUSH HANDLES...

Welded and bolted to cabinet. Flush with cabinet exterior for safety.



OPTIONAL PAN RACKS... Welded on extended angle slides at 3" spacing for 12"x20"x2.5" steam table pans and 18"x26" sheet pans (shown); pan racks for uncovered Design Specialties T-500 trays (not shown)