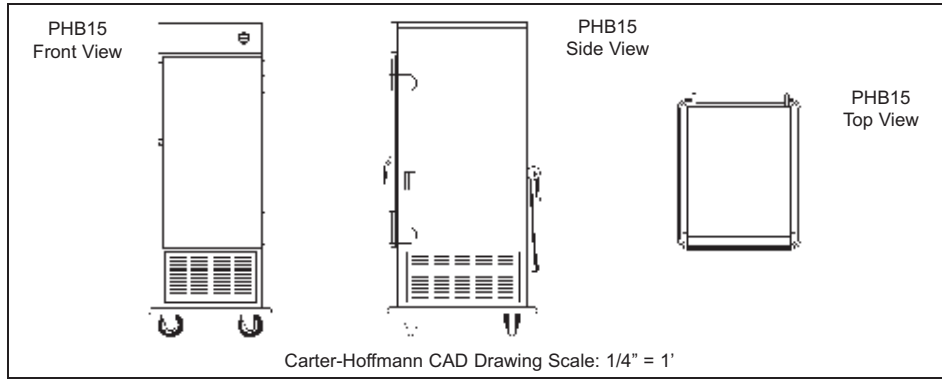




PHB15 AIR-SCREEN TRAYLINE REFRIGERATOR

CARTER-HOFFMANN
11
FOOD SERVICE EQUIPMENT
MOBILE REFRIGERATORS



| Model Number | Pan/Tray Capacity | | Slide Pairs Standard | Inside Working Height | | Overall Dimensions | | | Caster Diameter | | Shipping Weight | |
|--------------|-------------------|---------|----------------------|--------------------------------|------|-------------------------------------|------------------------------------|------------------------------------|-----------------|-----|-----------------|-----|
| | 14"x 18" | 18"x26" | | in | mm | Height in mm | Depth in mm | Width in mm | in | mm | lbs | kgs |
| PHB15 | 30 | 15 | 15 | 45 ³ / ₄ | 1162 | 80 ⁵ / ₈ 2048 | 38 ¹ / ₂ 978 | 31 ¹ / ₂ 800 | 6 | 152 | 598 | 271 |

CONSTRUCTION... Completely welded cabinet construction with outer cabinet formed and welded to base. All seams turned in to eliminate raw edges.

CABINET MATERIAL... All stainless steel construction; 20 gauge polished exterior and 24 gauge interior.

BASE FRAME... 12 gauge stainless steel full depth caster bolsters with 1" x 1" 14 gauge stainless steel channels welded to bolsters.

CASTERS... 6" diameter, all swivel, perma rubber tread. Sealed roller bearing swivel. Zerk grease fittings. Plate mounted and bolted to base in offset, wheel-ahead pattern. Two casters fitted with brakes.

BUMPER... Non-marking red vinyl bumper set in heavy-duty 3/16" thick extruded aluminum frame with reinforced corner cutouts.

INSULATION... 1 1/2" thick high density continuous wrap-around type fiberglass insulation.

DOOR... Tempered glass door set in extruded aluminum frame. Positive action door hold up device keeps door open and in place for easy loading and unloading. Field reversible.

STYLING... All stainless steel with glass door.

HINGES... Welded on, stainless steel 12 gauge butt type hinges with 3/8" fixed pin. 270 degree door swing. Field-reversible.

PUSH HANDLE... 1" diameter stainless steel tubular push handle bolted to rear of cabinet. Extends full width of cabinet. Equipped with donut bumpers on each end.

LATCH... Heavy-duty edgemount latch with magnetic catch.

CONTROLLER... Digital display controller set flush with control panel. Displays set point and operating temperature.

TRAY RACK ASSEMBLIES... Heavy-duty 18 gauge stainless steel angle slides fixed at 3" spacing. "No-tip" feature to facilitate partial pull-out of pans for easy access to contents. Partial pull-out of a pan will not "break" air screen.

ON/OFF SWITCH... Toggle style with guard.

REFRIGERATION SYSTEM... Self-contained high-efficiency, evaporator coil refrigeration system. Components include 3/4 h.p. air cooled high torque condensing unit, horizontal air screen, 1/2 ton expansion valve, filter/dehydrator and large capacity electrical condensate evaporator. Refrigerant charge of approx. 30 oz. CFC-free R134a.

DEFROST... Automatic and manual hot gas bypass defrost. Manual defrost button located on controller.

ELECTRICAL CHARACTERISTICS... Operates on 120 volts, 60 cycle, single phase, 13.5 running amps. Ten foot 3-wire rubber cord with 3 prong grounding plug. NEMA 5-20P.

PERFORMANCE... Capable of cooling cabinet to 35°F to 40°F. Approximate pull down time to 40°F - 30 minutes. Air curtain capable of maintaining 40°F or less internal air temperature for four hours with door open.

ACCESSORIES/OPTIONS...

- Rack hold down device
- Locking door latches
- Menu card holder
- Solid stainless steel door
- Dutch doors; glass or stainless steel
- Pass-through doors; glass or stainless steel
- Controller programmed for °C scale
- Pan racks at 4.5" spacing (reduces capacity to 12 pans)

SPECIFICATIONS

Specifications subject to change through product improvement & innovation.

CARTER-HOFFMANN

1551 McCormick Ave., Mundelein, IL 60060
(847) 362-5500 • (800) 323-9793 • Fax (847) 367-8981
www.carter-hoffmann.com



Printed in U.S.A. G21 0314
Carter-Hoffmann is a trademark of Carter-Hoffmann, LLC

FEATURES & BENEFITS

PHB15

AIR SCREEN TRAYLINE REFRIGERATOR

Since 1947, foodservice equipment that delivers!

COMPLETELY WELDED TURNED-IN SEAM CONSTRUCTION...

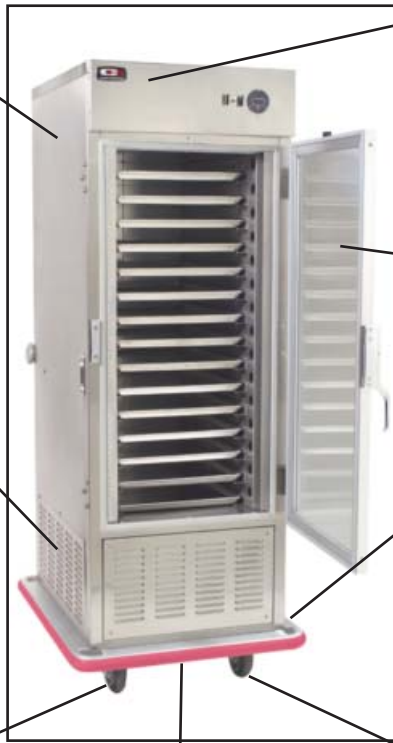
All stainless steel construction. Adds rigidity to entire cabinet for maximum durability and reliable performance, and eliminates raw edges for easy cleaning and safety.

HIGH EFFICIENCY REFRIGERATION SYSTEM WITH ENVIRONMENTALLY SAFE COOLANT...

Highly efficient refrigeration system provides faster pull down and recovery times. 3/4 HP allows for 4 hours open door time for extended tray make up. Automatic and manual hot gas bypass defrost.

PERFORMA RUBBER TREAD CASTERS WITH SEALED ROLLER BEARING...

Long lasting, easy rolling for maximum load and minimum maintenance.



DIGITAL READ-OUT CONTROLLER...

For fast, accurate temperature readings with no calibration.

270 DEGREE DOOR SWING WITH DOOR HOLD OPEN DEVICE...

Door swings out of the way and is held securely in place for easy loading and unloading. Field-reversible hinges.

HEAVY-DUTY STAINLESS STEEL BASE FRAME...

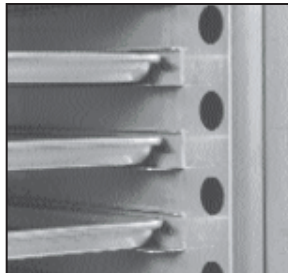
12 gauge caster boosters with tubular perimeter frame to withstand heavy loads and harsh transport conditions.

NON-MARKING BUMPER SET IN HEAVY-DUTY 3/16" THICK EXTRUDED ALUMINUM FRAME...

Protects doorways, walls and cart from damage.

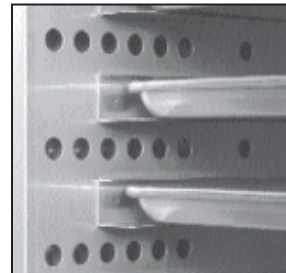
OFFSET "WHEEL AHEAD" PATTERN...

Only one wheel can pass over uneven surfaces at a time for easy handling and steering.



"NO TIP" TRAY SLIDES...

Trays cannot tip - even when pulled out half way. Enable easier access to contents of cabinet without affecting air screen.



DUAL FAN HORIZONTAL AIR SCREEN...

Designed to maintain lower interior cabinet temperature. Pan pulled out part way will not affect air screen.

1551 McCormick Avenue, Mundelein, Illinois 60060
Tel. (847)362-5500 • (800)323-9793 • Fax (847)367-8981
www.carter-hoffmann.com

