

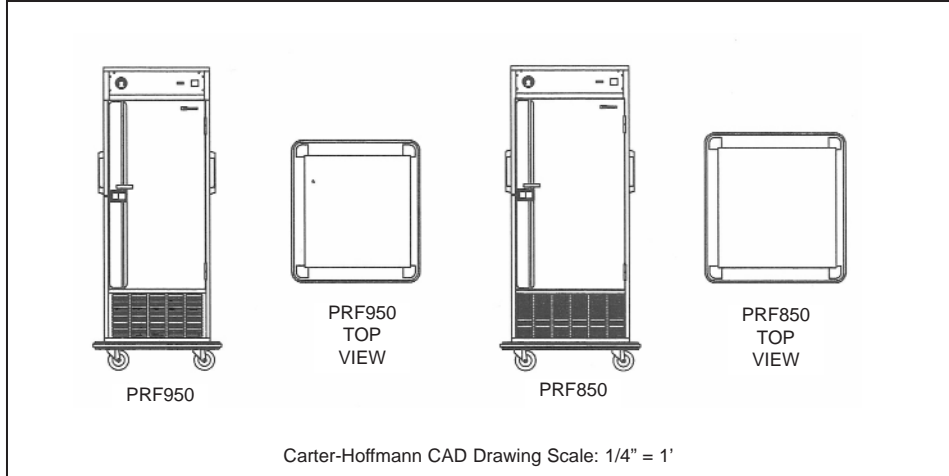


PRF850 & PRF950 MOBILE DUAL REFRIGERATOR/FREEZERS

CARTER-HOFFMANN
11
MOBILE REFRIGERATION

SPECIFICATIONS

Printed in U.S.A. C16 0312
Carter-Hoffmann is a trademark
of Carter-Hoffmann, LLC



Carter-Hoffmann CAD Drawing Scale: 1/4" = 1'

Model Number	Pan/Tray Capacity		Slide Pairs Standard	Inside Working Height		Overall Dimensions			Caster Diameter		Shipping Weight				
	18"x26"	12"x20"		in	mm	Height in	mm	Depth in	mm	Width in	mm	in	mm	lbs	kgs
<input type="checkbox"/> PRF950	30	-	30	45 ³ / ₄	1162	75	1905	35 ³ / ₈	899	30 ⁵ / ₈	778	6	152	408	185
<input type="checkbox"/> PRF850*	12	24	12	45 ³ / ₄	1162	75	1905	37 ³ / ₈	949	33 ³ / ₄	857	6	152	498	226

* Indicates universal slides. Tray slides in universal models are adjustable in 1 3/4" increments. Standard capacity shown at 3 1/2" spacing.

CONSTRUCTION... Completely welded cabinet construction with outer cabinet formed and welded to base. All seams turned in to eliminate raw edges.

CABINET MATERIAL... All stainless steel construction; 20 gauge polished exterior and 24 gauge interior.

BASE FRAME... 12 gauge stainless steel full depth caster bolsters with 1" x 1" 14 gauge stainless steel perimeter tube supports welded to bolsters.

CASTERS... 6" diameter, all swivel, polyurethane tread. Sealed roller bearing and double ball bearing swivel. Zerk grease fittings. Plate mounted and bolted to base in offset, wheel-ahead pattern. Two casters fitted with brakes.

BUMPER... Non-marking gray vinyl bumper set in heavy-duty 3/16" thick extruded aluminum frame with reinforced corner cutouts.

INSULATION... 1 1/2" thick high density continuous wrap-around type fiberglass insulation.

PUSH HANDLES... Two heavy-duty aluminum handles mounted on sides of the cabinet. Reinforced back-up plates.

DOOR... Recessed within cart walls, top and base. Welded double panel stainless

steel. 20 gauge polished exterior and 24 gauge interior. Filled with 1 1/2" thick high density fiberglass insulation.

HINGES... Stainless steel 12 gauge butt type hinges with 3/8" stainless steel pins.

LATCH... Flush mounted heavy-duty sliding latch with grip handle.

THERMOMETER... Flush mounted dial type with remote sensing bulb

TRAY RACK ASSEMBLIES... Model PRF950: removable extruded aluminum racks with extruded aluminum channel slides. Slides fixed at 1 1/2" centers; accommodate 18" x 26" sheet pans. Model PRF850: Removable 16 gauge stainless steel tray racks with 16 gauge stainless steel universal tray slides. Slides fully adjustable at 1 3/4" spacing; accommodate 18" x 26" sheet pans, 12" x 20" pans, gastronorm pans and 20" x 20" glass racks.

TOGGLE SWITCH... Toggle style with refrigerator, freezer and OFF settings.

REFRIGERATION SYSTEM... Self-contained evaporator coil and blower refrigeration system. 1/3 H.P. air cooled high torque condensing unit, thermal expansion valve, filter/dehydrator, large capacity exchanger. Temperature range of -5°F to 32°F (-21°C to 0°C). Power

indicating light illuminates when unit is plugged in. Power indicating light illuminates when the unit is operating. Toggle switch to change from refrigeration to freezer mode. Refrigerant charge of approximately 25 oz. CFC-free R404a.

ELECTRICAL CHARACTERISTICS... Operates on 120 volts, 60 cycle, single phase, 12 running amps. Ten foot 3-wire rubber cord with 3 prong grounding plug. NEMA 5-15P.

PERFORMANCE... Freezer Mode: capable of cooling cabinet to -5°F (-21°C). Pre-cooling time to 0°F (-18°C) approximately 45 minutes. Refrigeration Mode: capable of cooling cabinet to 33°F (1°C). Pre-cooling time approximately 30 minutes.

ACCESSORIES/OPTIONS...

- Locking transport latch
- Locking door latch
- Menu card holder
- Lexan thermometer cover
- Alternate caster sizes and treads
- 4 wheel brakes
- Alternate electrical configurations
- Tamper-resistant screws
- Enhanced polyiso insulation
- Marine package

CARTER-HOFFMANN
1551 McCormick Ave., Mundelein, IL 60060
(847) 362-5500 • (800) 323-9793 • Fax (847) 367-8981
www.carter-hoffmann.com

Specifications subject to change through product improvement & innovation.

FEATURES & BENEFITS

1551 McCormick Avenue, Mundelein, Illinois 60060
Tel. (847)362-5500 • (800)323-9793 • Fax (847)367-8981
www.carter-hoffmann.com



PRF850 & PRF950

MOBILE DUAL REFRIGERATOR/FREEZERS

Since 1947, foodservice equipment that delivers!

COMPLETELY WELDED TURNED-IN SEAM CONSTRUCTION... All stainless steel construction. Adds rigidity to entire cabinet for maximum durability and reliable performance, and eliminates raw edges for easy cleaning and safety.

HEAVY-DUTY BOTTOM MOUNTED CONDENSING UNIT... Provides low center of gravity for transport application.

HEAVY-DUTY STAINLESS STEEL BASE FRAME... 12 gauge caster bolsters with tubular perimeter frame to withstand heavy loads and harsh transport conditions.



HIGH EFFICIENCY REFRIGERATION SYSTEM WITH ENVIRONMENTALLY SAFE COOLANT... Blower system provides consistent top to bottom air flow as well as quick "pull down" to operating temperatures and quick recovery during heavy usage periods.

NON-MARKING BUMPER SET IN HEAVY-DUTY 3/16" THICK EXTRUDED ALUMINUM FRAME... Protects doorways, walls and cart from damage.

POLYURETHANE TREAD CASTERS WITH SEALED ROLLER BEARING... Long lasting, easy rolling for maximum load and minimum maintenance.

OFFSET "WHEEL AHEAD" PATTERN... Only one wheel can pass over uneven surfaces at a time for easy handling and steering.



FLUSH MOUNTED SLIDING DOOR LATCH WITH GRIP HANDLE... Exclusively designed for transport applications. Door remains firmly closed during transport. Flush design protects latch from damage.

