



TE2S & TE3S SERIES ENCLOSED MOBILE TRAY CARTS

Two and Three Door, One Tray Per Slide
(end-loaded)

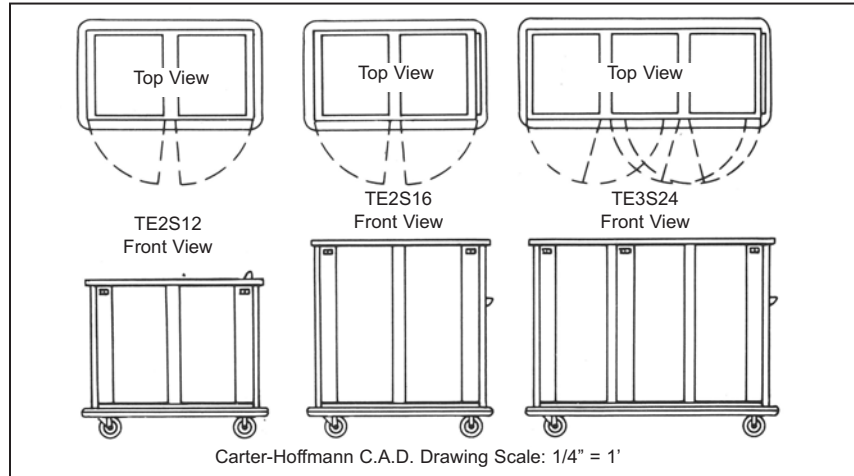
CARTER-HOFFMANN



FOOD SERVICE EQUIPMENT
ENCLOSED MOBILE TRAY CARTS

SPECIFICATIONS

Printed in U.S.A. L15 0413
Carter-Hoffmann is a trademark
of Carter-Hoffmann, LLC



Model Number	Tray Capacity*				Inside Working Height		Overall Dimensions						Caster Diameter		Shipping Weight	
	16x22, 15x20 or 14x18				in	mm	Height		Depth		Width		in	mm	lbs	kgs
	Vertical Spacing (specify)						in	mm	in	mm	in	mm				
	3.75"	4.5"	5.25"	6"			in	mm	in	mm	in	mm	in	mm		
<input type="checkbox"/> TE2S12	16	14	12	10	32 1/2	826	42 3/8**	1076**	29 5/8	752	44 1/4	1124	6	152	212	96
<input type="checkbox"/> TE2S16	22	18	16	14	43	1092	52 7/8	1343	29 5/8	752	44 1/4	1124	6	152	226	103
<input type="checkbox"/> TE2S20	28	22	20	16	53 1/2	1359	63 3/8	1086	29 5/8	752	44 1/4	1124	6	152	279	127
<input type="checkbox"/> TE3S24	33	27	24	21	43	1092	49 1/16	1610	29 5/8	752	63 1/2	1613	6	152	288	131
<input type="checkbox"/> TE3S30	42	33	30	24	53 1/2	1359	63 3/8	1086	29 5/8	752	63 1/2	1613	6	152	352	160

*Specify tray size. SAMPLE TRAY REQUIRED WITH ORDER.

**Add 2-1/8" (54mm) to height of cart for top-mounted push handle.

CONSTRUCTION... Completely welded cabinet construction. Cabinet formed and welded to base. All seams turned in to eliminate raw edges.

VENTS... Louvered vents on both ends to allow escape of excess heat and moisture.

CABINET MATERIAL... Nickel-bearing type 300 series stainless steel; 18 gauge polished exterior walls.

BASE FRAME... 12 gauge stainless steel full depth bolsters with 1" x 1" stainless steel perimeter channel supports.

CASTERS... 6" diameter, institutional grade caster with polyurethane tread. Sealed roller bearing and double ball bearing swivel with Zerk grease fittings. Plate mounted and bolted to base in offset wheel ahead pattern. Two swivel and two rigid

BUMPER... Non-marking gray vinyl bumper set in heavy-duty 3/16" extruded aluminum frame with reinforced corner cut-outs.

DOORS... Double panel welded stainless steel doors. Center hung for 180 degree door swing. Cavity filled with 1" thick high density fiberglass insulation.

LATCHES... Flush mounted heavy duty slide latch with adjustable door strike for positive closing of doors.

HINGES... Concealed, 12 gauge all stainless steel hinges with 3/8" pin.

PUSH HANDLE... 1" diameter tubular stainless steel handle mounted on end or top, depending on model. Mounted to swivel end of cabinet. Push handle extends the full depth of the cabinet.

TRAY RACK ASSEMBLIES... Complete assemblies are removable without tools

and constructed of 18 gauge stainless steel.

TRAY SLIDES... One 16" x 22", 15" x 20", or 14" x 18" tray per slide, end-loaded. Tray size must be specified when ordered. SAMPLE TRAY REQUIRED.

ACCESSORIES/OPTIONS...

- Polyurethane tread casters
- Semi-pneumatic casters
- Full pneumatic casters
- Alternate caster sizes
- Six-wheel caster configuration
- Wheel brakes (swivel wheels only)
- Floor drain and plug
- Extra stainless steel push handle
- 3 or 4 sided top rail
- Menu card holder
- Top mounted transport latch
- Trailer hitch
- Pass through doors
- Vinyl covered top and/or door stripe

Specifications subject to change through product improvement & innovation.

CARTER-HOFFMANN

1551 McCormick Ave., Mundelein, IL 60060
(847) 362-5500 • (800) 323-9793 • Fax (847) 367-8981
www.carter-hoffmann.com



FEATURES & BENEFITS

1551 McCormick Avenue, Mundelein, Illinois 60060
Tel. (847)362-5500 • (800)323-9793 • Fax (847)367-8981
www.carter-hoffmann.com



COMPLETELY WELDED, ALL STAINLESS STEEL, TURNED-IN SEAM CONSTRUCTION...
Corrosion-resistant 300 series stainless steel; easy to clean and structurally sound for long life.

VENTED END PANELS...
Allow excess heat and moisture build-up to escape, while maintaining highest food quality.

HEAVY-DUTY STAINLESS STEEL BASE FRAME... 12 gauge caster bolsters with perimeter frame for rugged use and added durability.

TE2S & TE3S SERIES ENCLOSED MOBILE TRAY CARTS

Since 1947, Foodservice Equipment That Delivers!



TE3S24

FLUSH MOUNTED SLIDING DOOR LATCH & ADJUSTABLE DOOR STRIKE... Designed specifically for tray cart operation for positive door closure during transport. Full length door stop is formed into the cabinet so doors can't cave in, even when closed with force.

STAINLESS STEEL HINGES... Heavy-duty, 12 gauge hinges with 3/8" diameter pin for trouble-free door operation. 270 degree door swing.

6" DIAMETER INDUSTRIAL GRADE CASTERS NON-MARKING GRAY RUBBER TREAD...
Rust resistant Delrin bearings with all axles and raceways equipped with Zerk grease fittings. Long lasting and easy rolling, yet durable enough to withstand rigorous cart wash programs. Two fixed and two swivel casters for easy maneuvering.



WHEEL-AHEAD CASTER CONFIGURATION...
Mounted to base in offset wheel-ahead pattern for easy rolling over uneven surfaces. Allow for easy handling and steering.

NON-MARKING BUMPER SET IN HEAVY-DUTY 3/16" EXTRUDED ALUMINUM FRAME... Floating style, bolted to the base. Protects cart and contents from impacts; protects doorways and walls from damage.

