



# TN1S SERIES

## ENCLOSED MOBILE TRAY CARTS

One Door, One Tray Per Slide  
(end-loaded, two slide sets per door)

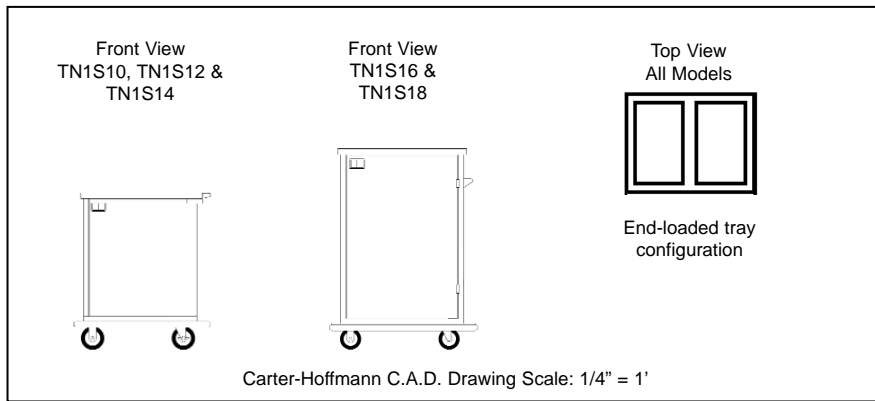
CARTER-HOFFMANN



FOOD SERVICE EQUIPMENT  
ENCLOSED MOBILE TRAY CARTS

# SPECIFICATIONS

Printed in U.S.A. L09 0609  
Carter-Hoffmann is a trademark  
of Carter-Hoffmann, LLC



Model Number	Tray Capacity		Inside Working		Overall Dimensions						Caster		Shipping	
	12" wide trays		Height		Height		Depth		Width		Diameter		Weight	
	Capacity	Spacing	in	mm	in	mm	in	mm	in	mm	in	mm	lbs	kgs
<input type="checkbox"/> TN1S10	10	5 1/4	30 1/2	775	42 3/4	1086	28	711	35 1/2	902	6	152	220	100
<input type="checkbox"/> TN1S12	12	4 3/4	30 1/2	775	42 3/4	1086	28	711	35 1/2	902	6	152	220	100
<input type="checkbox"/> TN1S14	14	4 1/4	30 1/2	775	42 3/4	1086	28	711	35 1/2	902	6	152	220	100
<input type="checkbox"/> TN1S16	16	4 3/4	39	991	49 1/16	1246	28	711	35 1/2	902	6	152	238	108
<input type="checkbox"/> TN1S18	16	4 1/4	39	991	49 1/16	1246	28	711	35 1/2	902	6	152	238	108

**CONSTRUCTION...** Completely welded cabinet construction. Cabinet formed and welded to base. All seams turned in to eliminate raw edges.

**CABINET MATERIAL...** Nickel-bearing type 300 series stainless steel; 18 gauge polished exterior walls.

**BASE FRAME...** 12 gauge stainless steel full depth bolsters with 1" x 1" stainless steel perimeter channel supports.

**CASTERS...** 6" diameter, institutional grade caster with polyurethane tread. Sealed roller bearing and double ball bearing swivel with Zerk grease fittings. Plate mounted and bolted to base in offset wheel ahead pattern.

**BUMPER...** Non-marking gray vinyl bumper set in heavy-duty 3/16" extruded aluminum frame with reinforced corner cut-outs.

**DOORS...** Double panel welded stainless steel doors. Cavity filled with high density fiberglass insulation.

**LATCHES...** Flush mounted heavy duty slide latch for positive closing of doors.

**HINGES...** Concealed, all stainless steel hinges permit 270 degree door operation.

**HANDLES...** Tubular stainless steel handle mounted on swivel end of cabinet.

**TRAY RACK ASSEMBLIES...** Complete assemblies are removable without tools and constructed of 18 gauge stainless steel. (SAMPLE TRAY REQUIRED WITH ORDER)

**TRAY SLIDES...** One 12" wide tray per slide (up to 22" length), end loaded. Two slide assembly pairs.

**VENTS...** Louvered vents on both ends to allow escape of excessive heat and moisture.

**ACCESSORIES/OPTIONS...**

- Cart wash package
- Polyurethane tread casters
- Semi-pneumatic casters
- Full pneumatic casters
- Alternate caster sizes
- Wheel brakes
- Drain and plug
- Extra stainless steel push handle
- 3 or 4 sided top rail
- Menu card holder
- Top mounted transport latch
- Pass through door
- All swivel casters
- Vinyl covered top or door stripe

Specifications subject to change through product improvement & innovation.

**CARTER-HOFFMANN**

1551 McCormick Ave., Mundelein, IL 60060  
(847) 362-5500 • (800) 323-9793 • Fax (847) 367-8981  
[www.carter-hoffmann.com](http://www.carter-hoffmann.com)



# FEATURES & BENEFITS

1551 McCormick Avenue, Mundelein, Illinois 60060  
Tel. (847)362-5500 • (800)323-9793 • Fax (847)367-8981  
[www.carter-hoffmann.com](http://www.carter-hoffmann.com)



## TN1S SERIES ENCLOSED MOBILE TRAY CARTS

*Since 1947, Foodservice Equipment That Delivers!*

**COMPLETELY WELDED, ALL STAINLESS STEEL, TURNED-IN SEAM CONSTRUCTION...**  
Corrosion-resistant 300 series stainless steel; easy to clean and structurally sound for long life.

**VENTED END PANELS...**  
Allow excess heat and moisture build-up to escape, while maintaining highest food quality.

**HEAVY-DUTY STAINLESS STEEL BASE FRAME...** 12 gauge caster bolsters with perimeter frame for rugged use and added durability.



TN1S14

**FLUSH MOUNTED SLIDING DOOR LATCH & ADJUSTABLE DOOR STRIKE...** Designed specifically for tray cart operation for positive door closure during transport. Full length door stop is formed into the cabinet so doors can't cave in, even when closed with force.

**STAINLESS STEEL HINGES...** Heavy-duty, 12 gauge hinges with 3/8" diameter pin for trouble-free door operation. 270 degree door swing.

**6" DIAMETER INDUSTRIAL GRADE CASTERS NON-MARKING GRAY RUBBER TREAD...**  
Rust resistant Delrin bearings with all axles and raceways equipped with Zerk grease fittings. Long lasting and easy rolling, yet durable enough to withstand rigorous cart wash programs. Two fixed and two swivel casters for easy maneuvering.



**WHEEL-AHEAD CASTER CONFIGURATION...**  
Mounted to base in offset wheel-ahead pattern for easy rolling over uneven surfaces. Allow for easy handling and steering.

**NON-MARKING BUMPER SET IN HEAVY-DUTY 3/16" EXTRUDED ALUMINUM FRAME...** Floating style, bolted to the base. Protects cart and contents from impacts; protects doorways and walls from damage.

