

New Crown Verity PATIO-PAL

Designed to add warmth to outdoor patio applications, the Designer Series Patio-Pal® infrared heater is the perfect solution to stylishly extend the outdoor season to many commercial and residential applications.

The Patio-Pal® easily mounts out of the way and without the hassle of refilling costly propane tanks. Specifically designed for comfort, reliability and ease of installation, the Patio-Pal® is sure to deliver the desired amount of warmth for dining, entertainment or work areas.



| | | |
|--|---|--|
| Overall Dimensions (L x D x H) 48.4 x 9.0 x 10.9" / 122.94 x 22.86 x 27.69 cm | | Actual Weight (LBS) 59 / 26.76 kg |
| Volts 24 VAC / 60Hz Single Phase | Amps 0.65 starting, 0.48 running | Control Voltage 24 VAC |
| Gas Connection 1/2" NPT | Limited Warranty 1 year controls, 5 years burner | Note For outdoor use only |

Features & Benefits

- ETL Design Certified to ANSI Z83.26 Standard.
- Decorative Stainless Steel Windscreen Eggcrate Grille.
- Wind and Rain Protected Design.
- Reliable Direct Spark Ignition.
- Potted (Water Resistant) 24V Circuitry.
- Black-Coated Aluminized or Brushed 430 Stainless Steel Housing.
- Fan Free Design Quieter Operation.

Options

- Mounting brackets
- Timer switch controller
- Clearance Safety Sign

CROWN VERITY INC.

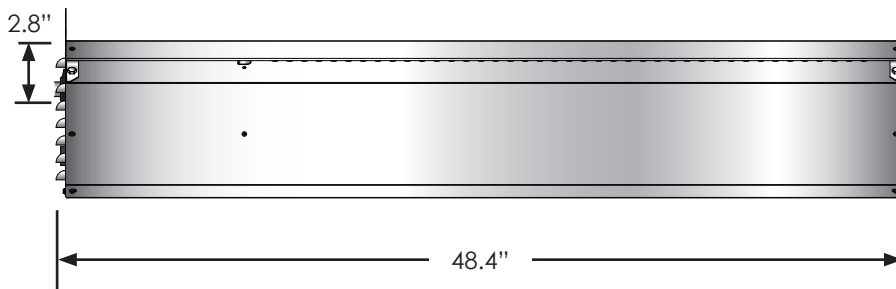


tel 519.751.1800 or 888.505.7240 fax 519.751.1802

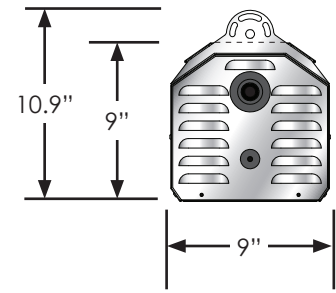
37 Adams Boulevard, Brantford, Ontario, Canada N3S 7V8
e-mail info@crowverity.com web www.crownverity.com

Now available in four convenient models

| Model | DSCS-31P | DSCS-34N | DSCS-31P-SS | DSCS-34N-SS |
|-----------------------------|-------------------|---------------------|-------------------|-------------------|
| Gas Type | Propane | Natural Gas | Propane | Natural Gas |
| BTU/H | 31,000 | 34,000 | 31,000 | 34,000 |
| Recommended Mounting Height | 8.0 ft. to 12 ft. | 8.5 ft. to 13.0 ft. | 8.0 ft. to 12 ft. | 8.5 ft. to 13 ft. |
| Net Weight | 59 lbs. | 59 lbs. | 59 lbs. | 59 lbs. |
| Colour | Black | Black | Stainless Steel | Stainless Steel |
| Approx. Area Heated | 8' x 8' | 9' x 9' | 8' x 8' | 9' x 9' |



SIDE VIEW

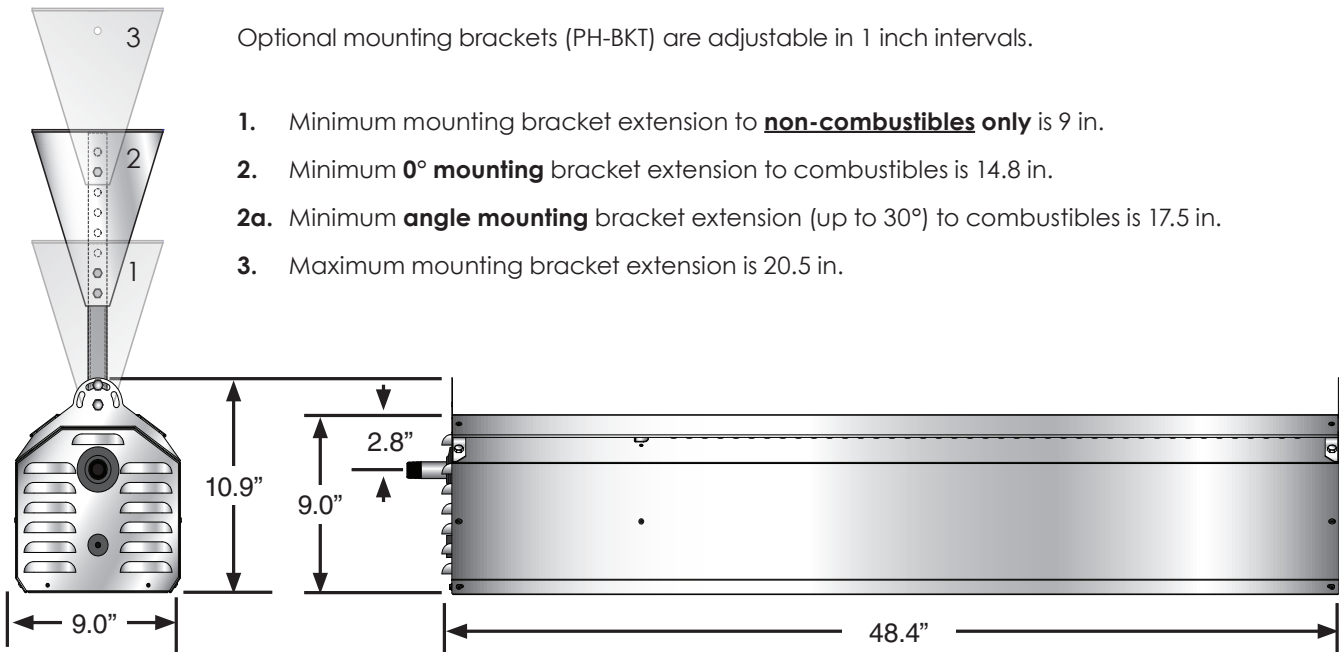


END VIEW

DSC SERIES & OPTIONAL MOUNTING BRACKET DIMENSIONS

Optional mounting brackets (PH-BKT) are adjustable in 1 inch intervals.

1. Minimum mounting bracket extension to **non-combustibles only** is 9 in.
2. Minimum **0° mounting** bracket extension to combustibles is 14.8 in.
- 2a. Minimum **angle mounting** bracket extension (up to 30°) to combustibles is 17.5 in.
3. Maximum mounting bracket extension is 20.5 in.



CROWN VERITY INC.



tel 519.751.1800 or 888.505.7240 fax 519.751.1802

37 Adams Boulevard, Brantford, Ontario, Canada N3S 7V8
e-mail info@crowverity.com web www.crowverity.com