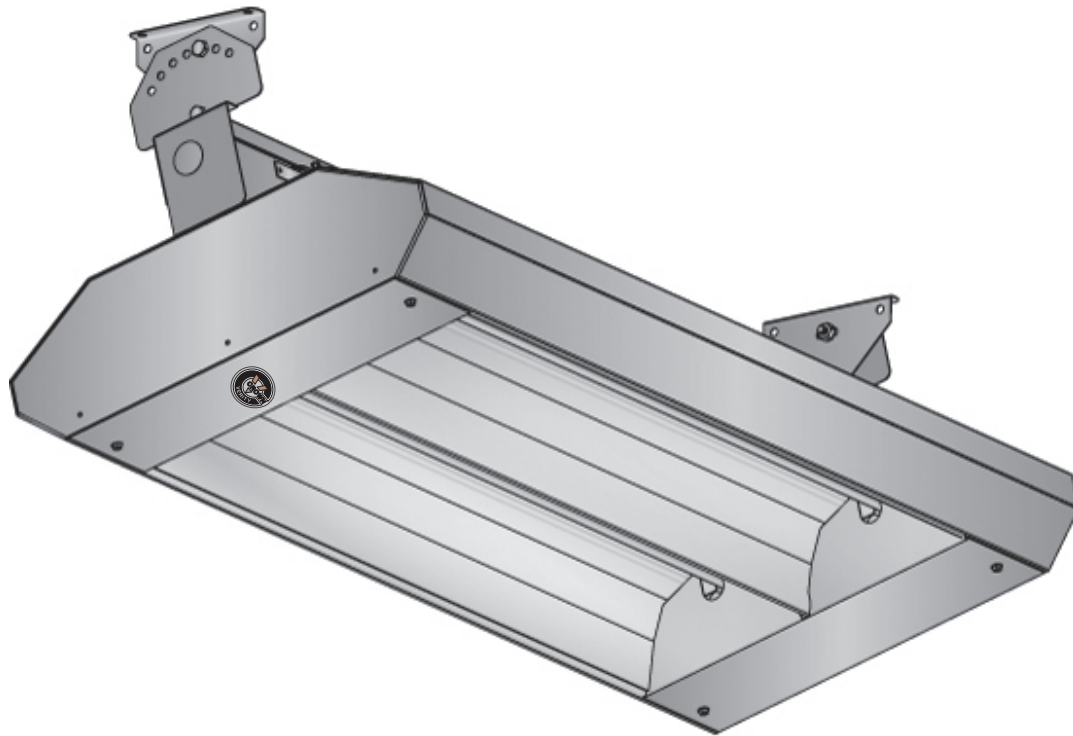


New Crown Verity SHORT WAVE

SW Series heaters are unique in their ability to produce both infrared heat and visible light energy. The source of this energy comes from short wave electric lamps encased in an aesthetically pleasing enclosure. Operational benefits include a highly efficient energy transfer, lower mounting heights, heat energy, and light energy.



Overall Dimensions (L x D x H) 33.00 x 15.00 x 10.75" / 83.32 x 38.10 x 27.30 cm		Suggested Mounting Height (FEET) 10.0-12.0
Power (@ 240V) 5.0 kW 20.83 Amps	Equivalent BTU/h 17,061	Actual Weight (LBS) 26 / 11.79 kg
Construction Two clear quartz lamps	Limited Warranty All components 1-Year	Note Indoor and outdoor approval

Features & Benefits

- Compact, aesthetically pleasing construction.
- Heater housing available in either black powder coated aluminized steel or brushed 304 grade stainless steel.
- Gold coloured anodized aluminum reflectors reduces visible light glare.
- Double lamp construction models.
- 5,000 watt output.
- ETL Certified for indoor or outdoor use.

CROWN VERITY INC.



tel 519.751.1800 or 888.505.7240 fax 519.751.1802

37 Adams Boulevard, Brantford, Ontario, Canada N3S 7V8
e-mail info@crowneverity.com web www.crowneverity.com

Infrared Short Wave Electric Heaters

Models:

SW-33B2-C25W Black Coated

SW-33S2-C25W Stainless Steel

Applications

- Restaurant Patios
- Parking Garages
- Valet Waiting Areas
- Airport Entrances
- Hospital Entrances
- Vestibules
- Smoking Areas
- Workshops
- Outdoor Waiting Areas
- And more!

Features

Heater Construction

- Black powder-coat aluminized steel housing.
- Gold colored anodized aluminum reflectors reduces visible light glare.
- Optional stainless steel housing for added durability and corrosion resistance.

Mounting

- 0° to 45° adjustable brackets.

Reflectors

- Highly polished aluminum.
- Wide, symmetrical design.

Lamp Elements

- Coiled tungsten filament within a sealed quartz tube.
- Porcelain end caps.
- Instantaneous heat-up & cool-down.
- Clear quartz.

Approvals

- ETL Listed for indoor and outdoor applications.
- Commercial/Industrial Approval.
- CSA 22.2 #46 - M1988.
- UL 2021, 1997.

CROWN VERITY INC.



tel 519.751.1800 or 888.505.7240 fax 519.751.1802

37 Adams Boulevard, Brantford, Ontario, Canada N3S 7V8
e-mail info@crownverity.com web www.crownverity.com