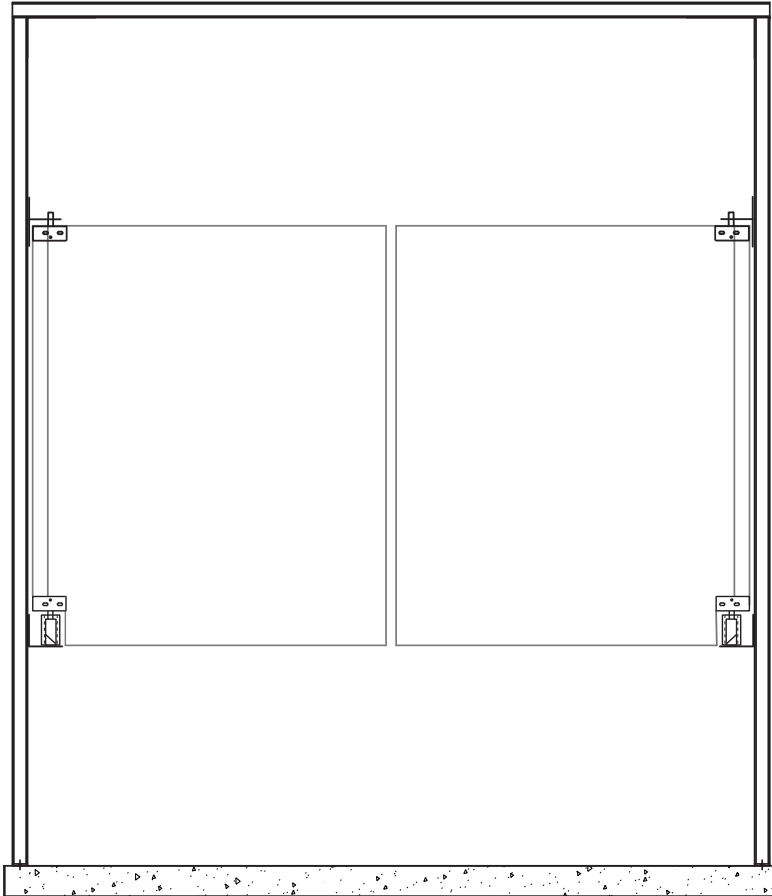
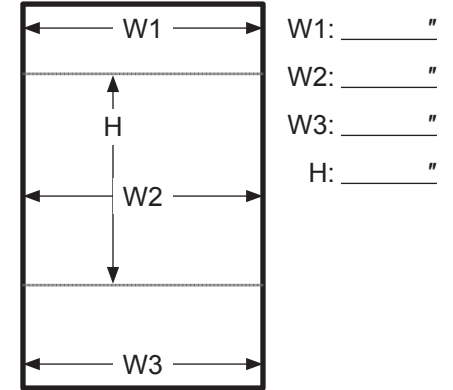


SERVICE-PRO® CAFÉ SWINGING DOOR



DOOR OPENING/PANEL DIMENSIONS



Please Note: Width measurements pertain to the door opening, **NOT** the actual door. Height measurement is the desired door panel height.

DOOR SPECIFICATION

- Bi-Parting (Double Panel) Single Panel
 Left Right
 Straight Door Edging (Standard)
 Curved Door Edging†

† Not Available on Aluminum, Wood Core or Stainless Steel Construction Doors

DOOR CONSTRUCTION

- .063" Anodized Aluminum .750" Wood Core
 .250" ABS Plastic 18 Gauge Stainless Steel
 .500" HDPE Plastic

DOOR FINISH

- Solid Door (No Finish)*
 Aluminum†
 Stainless Steel†
 Laminate Finish†
 Black Beige Mid-Tone Wood
 White Light Wood Cherry Wood
 Other: _____

* Not Available on Wood Core Doors

† Not Available on ABS, HDPE or Stainless Steel Doors

HARDWARE

- Café/Gate Hinge Assembly (Standard)
 Stainless Steel Hinge Assembly

CUSTOM SPECIFICATIONS

APPLICABLE MODELS: CAFESERIES

STANDARD CAFÉ FEATURES:

- Café/Gate Hinge Assembly
- Straight Door Edging

Pictured: Double Panel CAFESERIES-20AL

SIGNATURE REQUIRED

JOB NAME/LOCATION _____

CUSTOMER/LOCATION _____

ORDER # _____ CUSTOMER PO # _____

Charges will be assumed by buyer for changes or cancellations to work in process. Buyer hereby accepts responsibility for all sizes and dimensions. This order will not be processed until all acknowledgment forms are signed and returned.

X

DATE _____

Curtron Products, a division of TMI, LLC

5350 Campbells Run Rd • Pittsburgh, PA 15205 • 1.800.833.5005 • 412.787.3665 (fax)