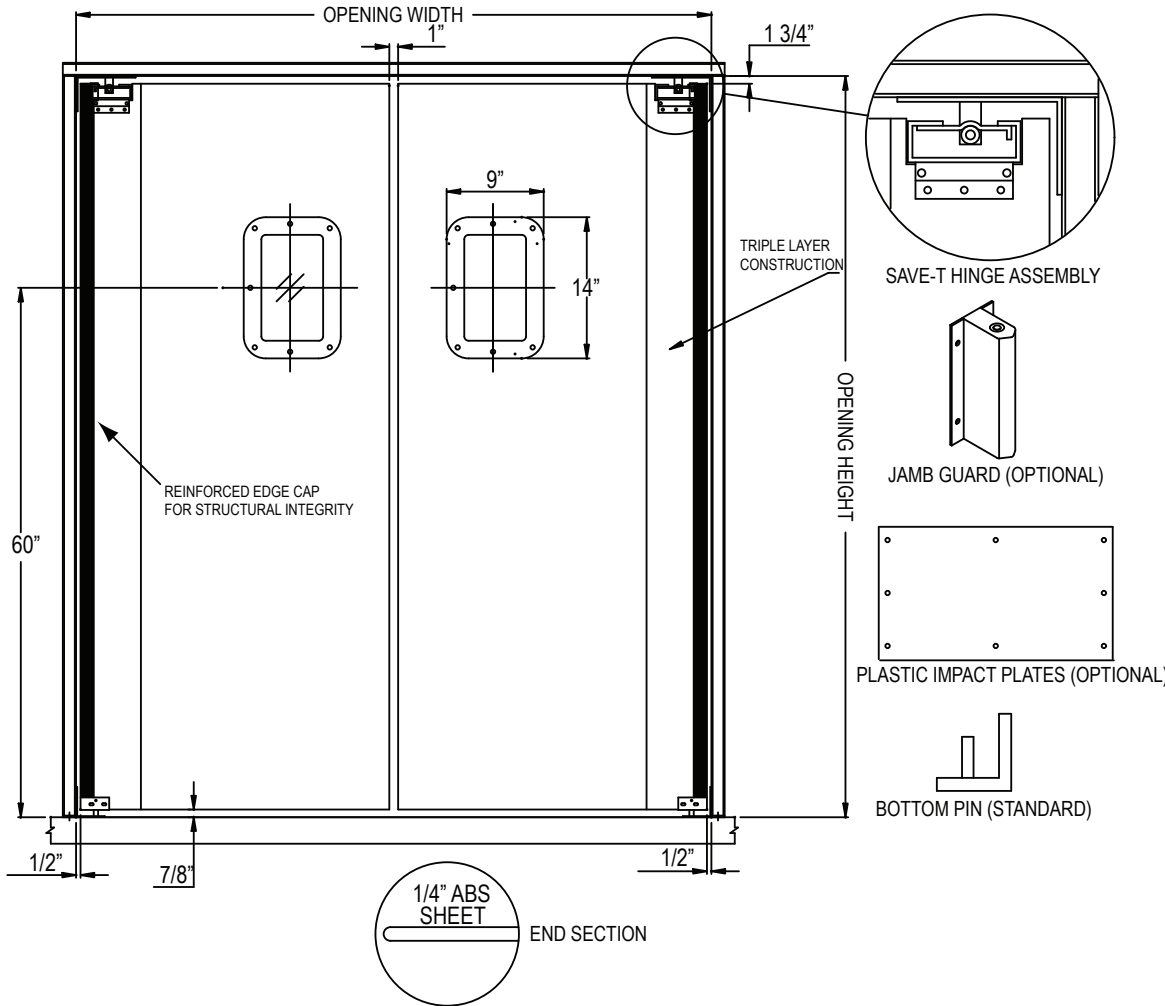
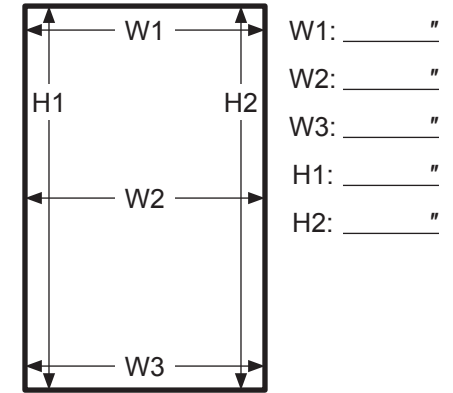


SERVICE-PRO® SERIES 60 SWINGING DOOR



DOOR OPENING DIMENSIONS



Please Note: These measurements pertain to the door opening, **NOT** the actual door.

DOOR SPECIFICATION

- Bi-Parting (Double Panel) Single Panel
- Left Right

ABS SHEET COLOR

- Black White
- Light Gray Beige

WINDOW SIZE

- 6"x12" 9"x14" (Standard)
- 10"x30" 14"x16"
- 22"x22"

Window must be 14" narrower than the door panel width. A 6"x12" window is standard for door panels under 20" wide.

IMPACT PLATES (MATERIAL/HEIGHT)

- .093" ABS .125" ABS
- 12" 18" 24" 30" 36" 42" 48"

HARDWARE

- Save-T Hinge Assembly & Bottom Pin (Standard)
- Stainless Steel Save-T Hinge Assembly & Bottom Pin
- Jamb Guard
 - 3"x10" Aluminum 3"x10" Stainless Steel
 - 5"x18" Galvanized Steel
- Push Plates
 - ABS Stainless Steel

CUSTOM SPECIFICATIONS

APPLICABLE MODELS: SERIES60

STANDARD SERIES 60 FEATURES:

- .250" ABS Plastic Sheet Construction
- Triple-Layered Reinforced Back Spine
- Save-T Hinge Assembly & Bottom Pin
- 9"x14" Window

Pictured: Double Panel SERIES60

SIGNATURE REQUIRED

JOB NAME/LOCATION _____

CUSTOMER/LOCATION _____

ORDER # _____ **CUSTOMER PO #** _____

Charges will be assumed by buyer for changes or cancellations to work in process. Buyer hereby accepts responsibility for all sizes and dimensions. This order will not be processed until all acknowledgment forms are signed and returned.

X _____ **DATE** _____