



# 200 Series

Ice Chest With Cover

Project \_\_\_\_\_

Item \_\_\_\_\_

Quantity \_\_\_\_\_

CSI Section 11400

Approved \_\_\_\_\_

Date \_\_\_\_\_

200 Series Ice Chest With Cover

## Models

- 240 Drop-in ice chest with cover



240

## Standard Features

- 20-gauge stainless steel top and body
- One piece stainless lift off cover with handle
- Stainless steel interior liner with coved corners
- 1" diameter drain plumbed out the bottom
- High density environmentally friendly, Kyoto Protocol Compliant, Non ODP (Ozone Depletion Potential), Non GWP (Global Warming Potential) polyurethane foam throughout unit
- Unit can be attached to the front of a counter with brackets (not included)
- One year parts and 90 day labor standard warranty. Additional warranties available.

## Specifications

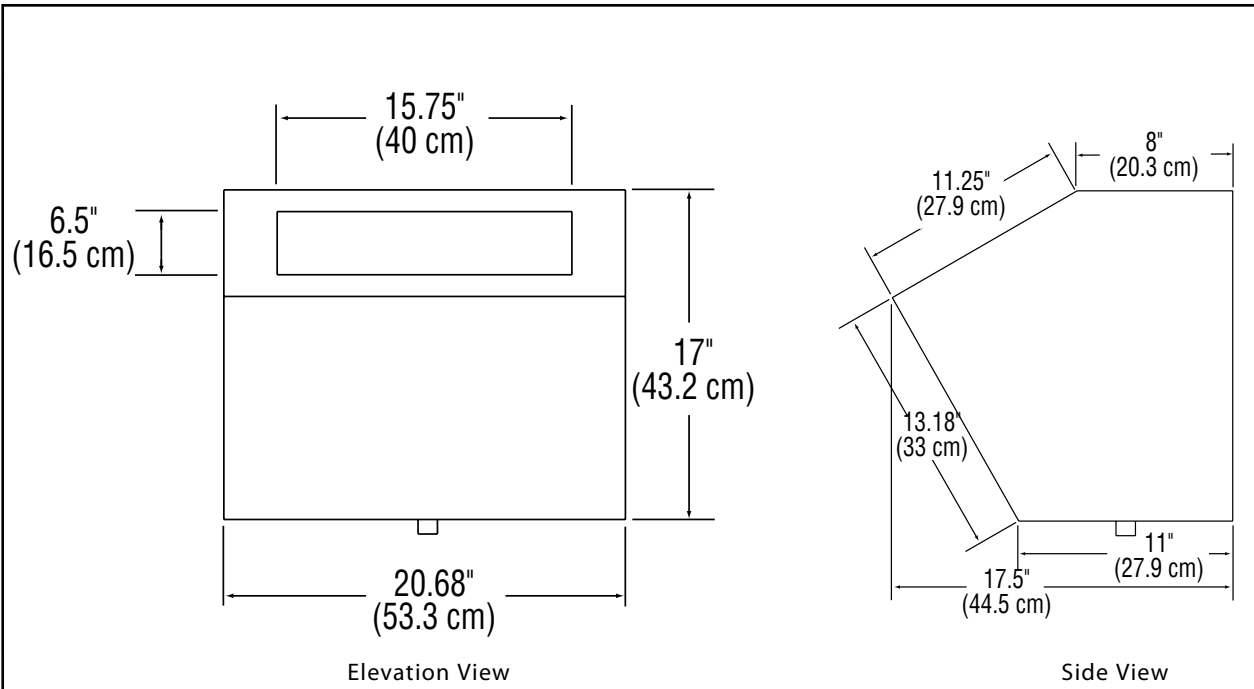
**Top** is 20-gauge stainless steel. Top has 6.5" x 15.75" (16.5cm x 40cm) stamped opening, with a one-piece lift-off cover of 20-gauge stainless steel.

**Sides and front** are 20-gauge stainless steel.

**Back and bottom** are 24-gauge galvanized steel.

**Ice bin** is 22-gauge stainless steel, has coved corners and is pitched to 1" (2.54cm) diameter drain opening. Insulated all around — top, sides, front, back, and bottom — with high-density closed-cell environmentally friendly, Kyoto Protocol Compliant, Non ODP (Ozone Depletion Potential), Non GWP (Global Warming Potential) polyurethane. Bin holds 75 pounds of flaked ice.





Specifications						
Model	L	W	D	Ice Capacity	Ship Weight	Freight Class
240	21" (53.3cm)	17.5" (44.5cm)	17" (43.2cm)	75lbs/ 34.0kg	36lbs/ 16.3kg	85

Delfield reserves the right to make changes to the design or specifications without prior notice.