



242

Drop-in Sink

Project _____

Item _____

Quantity _____

CSI Section 11400

Approved _____

Date _____

242: Drop-in Sink

Models

- 242 Drop-in sink and faucet



242

Standard Features

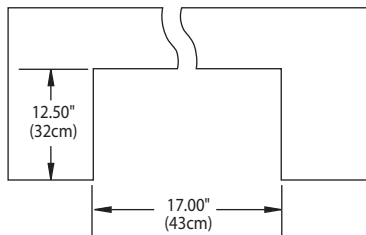
- 9.00" x 14.00" (23cm x 36cm) stainless steel sink
- Chrome-plated faucet standard
- Drain and basket strainer standard

Specifications

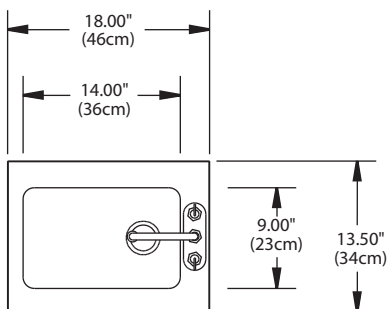
Top is stainless steel with 3.00" (8cm) riser at back, sloping risers (1.44" (4cm) high at front, 3.00" (8cm) high at back) on each side, and 1" (3cm) turn-down on front edge. Top has 9.00" x 14.00" (23cm x 36cm) sink welded in place with chrome-plated faucet set and 1.50" (4cm) drain with basket strainer.

Faucet and strainer shipped loose with unit.

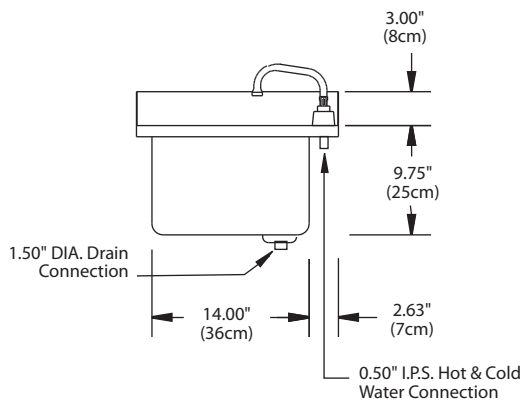




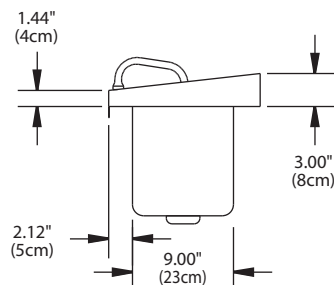
Cutout Dimensions



Plan View



Elevation View



Side View

Specifications

| Model | L | D | H | Counter Cutout Dimension | Ship Weight | Freight Class |
|-------|------------------|------------------|------------------|----------------------------------|------------------|---------------|
| 242 | 18.00" (46cm) | 13.50" (34cm) | 12.75" (32cm) | 17.00" x 12.50" (43cm x 32cm) | 20 lbs (9 kg) | 85 |

Delfield reserves the right to make changes to the design or specifications without prior notice.

242

Drop-in Sink