



# 4432N Flat Top

Front-Breathing Self-Contained Flat Top Refrigerated Bases

Project \_\_\_\_\_  
 Item \_\_\_\_\_  
 Quantity \_\_\_\_\_  
 CSI Section 11400  
 Approved \_\_\_\_\_  
 Date \_\_\_\_\_

4432N Flat Top: Front-Breathing Self-Contained Flat Top Refrigerated Bases

## Models

- 4432N Single section refrigerator with door
- D4432N Single section refrigerator with drawers



4432N

## Standard Features

- 100% front breathing, which allows the unit to be pushed against a wall or built into a cabinet or an existing line up
- Durable, rugged stainless steel sides, top and front
- Features Delfield's exclusive ABS interior (on sides). ABS is extremely durable - it won't dent, chip or corrode and is backed by a limited lifetime warranty
- Heavy duty self-closing hinges
- "D" prefix models feature Delfield's exclusive new drawer system. Drawers are backed by a 10-year warranty on the track assembly
- Environmentally friendly R404A refrigerant
- High density foamed in place environmentally friendly, Kyoto Protocol Compliant, Non ODP (Ozone Depletion Potential), Non GWP (Global Warming Potential) polyurethane keeps energy costs low
- Black recessed quick grip handle
- Standard on 5" casters for easy cleaning and installation
- 60-cycle single phase electrical system
- 6' cord and plug supplied

- One epoxy coated wire shelf standard, installed per door section
- Electromechanical control
- Three year parts and labor warranty and an additional two year compressor parts warranty

## Options & Accessories

- 18" wide single tier overshef
  - Stainless steel finish on back
  - Plastic laminate on front
  - Additional wire shelves
  - 3" casters, 3.75" ride height
  - Door lock
  - Exterior thermometer (door models only)
  - Interior lights
  - Glass door(s)
  - 220V/50 Hertz electrical system\*
- \* Inclusion of this option will alter electrical specifications of the unit

## Specifications

**Exterior top** is one-piece, 22-gauge stainless steel with integral square nosing on the front.

**Exterior back and bottom** are two-piece 24-gauge galvanized steel. Exterior ends are stainless steel.

**Interior sides** are thermoformed ABS plastic with shelves supported on plugs. Interior back is one-piece 22-gauge stainless steel. Interior bottoms are thermoformed ABS plastic. Base is fully insulated with high-density foamed in environmentally friendly, Kyoto Protocol Compliant, Non ODP (Ozone Depletion Potential), Non GWP (Global Warming Potential) place polyurethane.

**Refrigeration** system uses HFC-404A refrigerant. Compressor is 1/5 H.P., with condenser coil and hot gas condensate evaporator mounted on rear of the cabinet. Evaporator coils are located on the interior rear wall of the cabinet. Refrigerant flow is controlled by a capillary tube. Cabinet maintains an interior cabinet temperature of 36°F to 40°F (2°C to 4°C).

**Electromechanical control** is mounted on the right side of the evaporator housing inside the cabinet. It allows the unit to maintain consistent temperatures in heavy duty conditions.

**Electrical** connection is 115 volt, 60 Hertz, single phase. Unit has a 6' (1.8m) long electrical cord and NEMA 5-15P plug.

**Casters:** Equipment is mounted on 5" (13cm) diameter plate casters with front two locking. Equipment clearance above the floor is 2.5" (6cm).

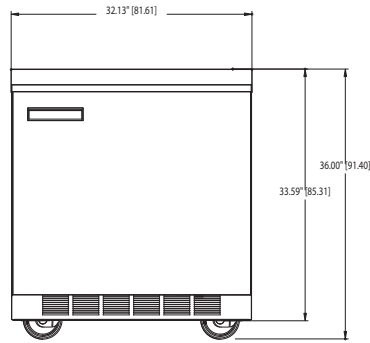
**Door** has a 24-gauge stainless steel exterior, with thermoformed ABS plastic interior liner.

**Drawers** have 24-gauge stainless steel exterior with thermoformed ABS plastic interior liner. Drawer frames are 12-gauge stainless steel. Drawer slides are 11-gauge stainless steel with Delrin bearings. Top drawer holds two full size 12" x 20" (30.5cm x 50.8cm), 4"-6" deep pans. Bottom drawer holds two full size 12 x 20", 4" deep pans. Pans are supplied by others.

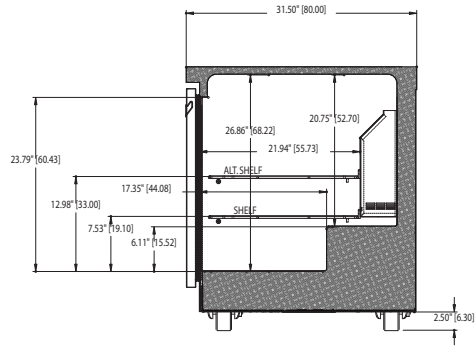


Only Model 4432N

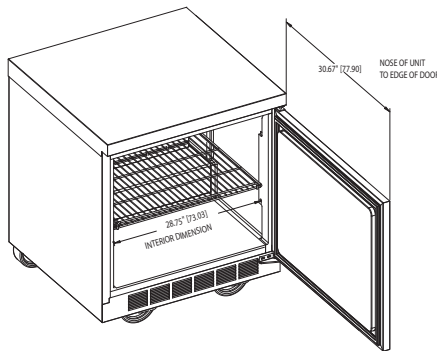




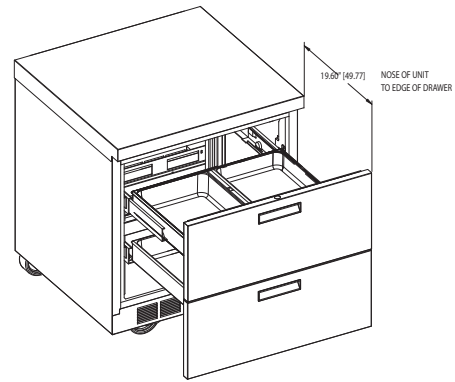
4432N Elevation View



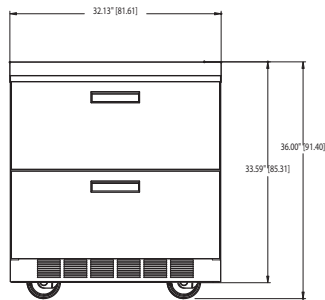
4432N Right Side View



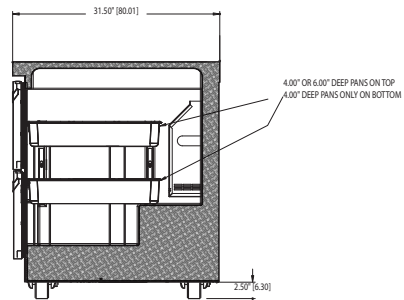
4432N ISO View



D4432N ISO View



D4432N Elevation View



D4432N Right Side View

**INSTALLATION NOTE:**

Refrigeration system is designed so that air will flow under the unit, through the compressor area and out the front of the unit. Any restriction to this air flow path will void the warranties.

**PLEASE NOTE:**

Air flow through the louver on the back of the unit is not necessary for operation, however, any air which passes through the louver is beneficial.

**Specifications**

Model	# of Shelves	Shelf Area	Volume	H.P.	V/Hz/Ph	Amps	Nema Plug	Ship Weight	Energy KWH/Day
4432N	1	3.88ft <sup>2</sup>	10.10ft <sup>3</sup>	1/5	115/60/1	3.9	5-15P	245lbs/111kg	2.30
D4432N	NA	NA	10.10ft <sup>3</sup>	1/5	115/60/1	3.9	5-15P	293lbs/133kg	NA

Delfield reserves the right to make changes to the design or specifications without prior notice.