



GoCart Mobile Kiosks

Dry Storage Module

Project _____

Item _____

Quantity _____

CSI Section 11400

Approved _____

Date _____

GoCart Mobile Kiosks - Dry Storage Module

Models

- DMR316 - Dry storage module, hinged right
- DML316 - Dry storage module, hinged left



DML316

Standard Features

- Stainless steel construction and finish – interior and exterior
- 7.0ft³ (198L) capacity
- Lockable door (operator side)
- (3) Adjustable shelves
- Available in left or right configurations
- Heavy duty casters
- Vinyl night cover
- One year parts and labor standard warranty

Options & Accessories

- Graphics

Specifications

The dry storage module offers additional storage space for the operator. Used commonly as bulk storage for dry food, condiments and accessories the dry module offers a lockable storage option.

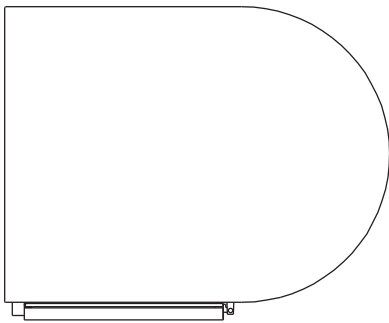
The main body, counter top, base, door and frame are constructed of 316 stainless steel. The unit is mounted on heavy duty casters.



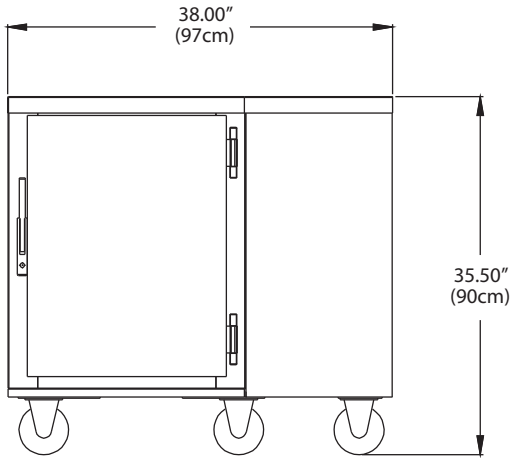


GoCart Mobile Kiosks

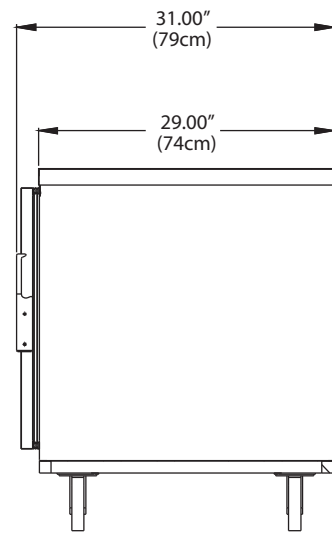
Dry Storage Module



Plan View



Elevation View



Side View

| Specifications | |
|-------------------|-------------------------|
| Model | Ship Weight lbs (kg) |
| DMR316, DML316 | 216 (98) |

Delfield reserves the right to make changes to the design or specifications without prior notice.

980 S. Isabella Rd.
Mt. Pleasant, Michigan 48858

Phone: 800-733-8948 or 989-773-7981
Fax: 800-669-0619
www.delfield.com

Printed in the U.S.A.
DSGCDMRL
09/11

