



GoCart Mobile Kiosks

Gullwing

Project _____

Item _____

Quantity _____

CSI Section 11400

Approved _____

Date _____

GoCart Mobile Kiosks - Gullwing

Models

- GULL316 - Gullwing mobile kiosk



GULL316

Shown with optional center refrigerator

Standard Features

- Stainless steel construction and finish
- Gullwing doors
- Integrated food vending unit containing water tank, pump and filter system, hot water heater, waste water tank, hot and cold water taps and wash sinks
- Energy management system
- Dry storage cupboard containing cash drawer and removable shelf
- Drop down counter extensions
- Drop down customer service shelf
- Lighting – point of sale, point of purchase, operator
- Integrated cd, radio and speakers (MP3 playback capability)
- Heavy duty 6" diameter locking casters
- Vinyl night cover
- One year parts and labor standard warranty

Options & Accessories

- Under counter refrigerator
- Under counter freezer
- Graphics

Specifications

The Gullwing, is the corner stone product of GoCart Mobile Kiosks. The Gullwing is an adaptable kiosk suitable for a variety of applications. Heavy duty, robust construction equipped with lighting, water, waste, wash sinks and a electrical system able to energy share power for a number of electrical machines. One of the Gullwing's key features are the Gullwing doors that provide adequate protection from the elements when open and security when the unit is closed and not in operation.

The main body, counter top, base, door and frame are constructed of 316 stainless steel. The sink is constructed of 304 stainless steel. The wings are built of aluminum. The unit is mounted on heavy duty 6" diameter locking casters.

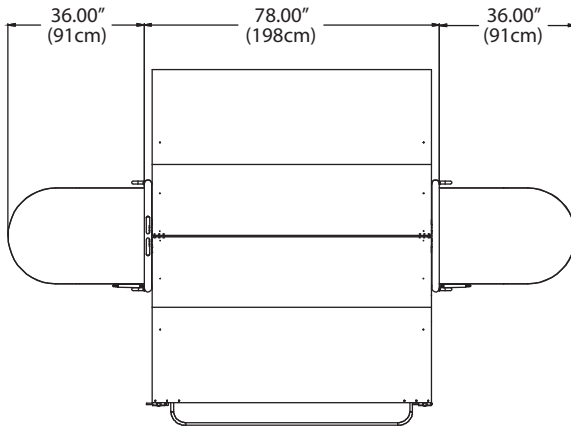
The Gullwing's energy management unit features receptacles for the lights, water pump, hot water heater and compact disc player, a 20A receptacle for a coffee machine (provided by others) a duplex 15A receptacle for the optional left upper and lower modules, another duplex 15A receptacle for the optional right upper and lower modules. For additional needs there are two duplex 15A receptacles, 10A combined max, and three duplex 15A receptacles, 11A combined max.



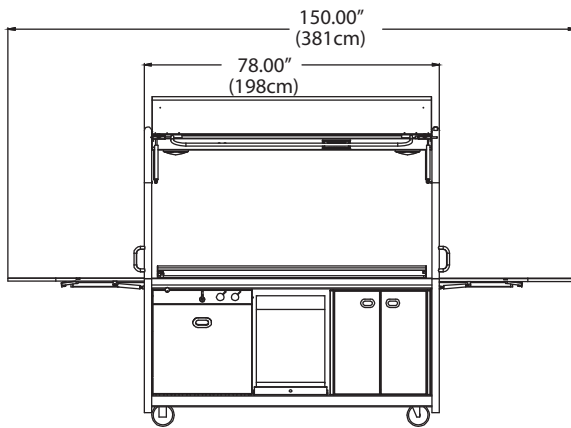


GoCart Mobile Kiosks

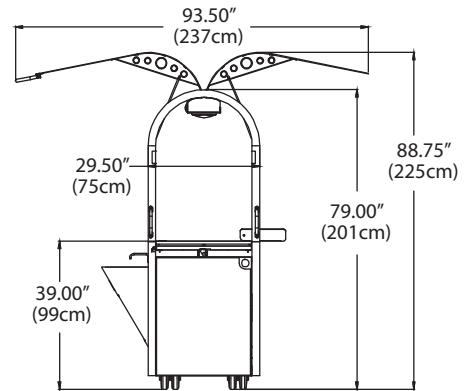
Gullwing



Plan View



Elevation View



Side View

Specifications					
Model	Electrical	Watts	Max Amp Draw	Nema Plug	Ship Weight lbs (kg)
GULL316	120/240V-60Hz-1Ph	9,600	40.0	14-50P	1279 (580)

Delfield reserves the right to make changes to the design or specifications without prior notice.

980 S. Isabella Rd.
Mt. Pleasant, Michigan 48858

Phone: 800-733-8948 or 989-773-7981
Fax: 800-669-0619
www.delfield.com

Printed in the U.S.A.
DSGCGULL
09/11

