



GoCart Mobile Kiosks

Coffee Mini

Project _____

Item _____

Quantity _____

CSI Section 11400

Approved _____

Date _____

Models

- MINICOF316 - Coffee mini mobile kiosk



MINICOF316
*Shown with coffee machine,
 provided by others*

Standard Features

- Stainless steel construction and finish
- 5 gallon water storage
- Water pump and filter
- 13 gallon waste water storage
- Electrical distribution board
- Pull up counter extensions
- Drop down customer service shelf
- Removable frame cap for umbrella fitting
- Heavy duty casters
- One year parts and labor standard warranty

Options & Accessories

- Graphics

Specifications

The GoCart Coffee Mini is tailor made for 1, 2 or 3 group coffee machines. A small mobile counter equipped with the utilities to run a coffee machine. Extension shelves offer serving space and storage of condiments, napkins and other consumable goods.

The main body, counter top, base, door and frame are constructed of 316 stainless steel. The unit is mounted on heavy duty casters.

The GoCart Coffee Mini's energy management unit features a duplex receptacle for the water pump. For additional needs there is a duplex 15A receptacle, 10.5A max load.



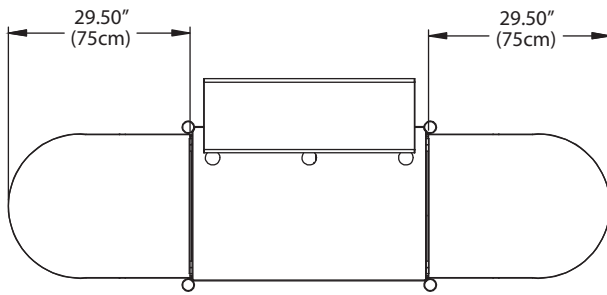
GoCart Mobile Kiosks - Coffee Mini



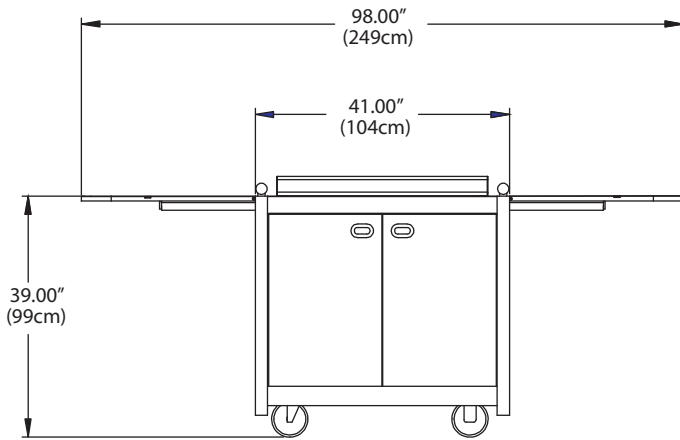


GoCart Mobile Kiosks

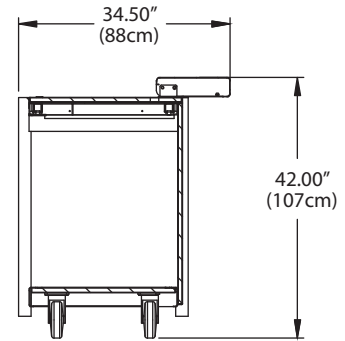
Coffee Mini



Plan View



Elevation View



Side View

Specifications					
Model	V/Hz/Ph	Watts	Amps	Nema Plug	Ship Weight lbs (kg)
MINICOF316	120/60/1	1,440	12.0	5-15P	539 (244)

Delfield reserves the right to make changes to the design or specifications without prior notice.

980 S. Isabella Rd.
Mt. Pleasant, Michigan 48858

Phone: 800-733-8948 or 989-773-7981
Fax: 800-669-0619
www.delfield.com

Printed in the U.S.A.
DSGCMINICOF
09/11

