



N8700-D

Drop-In Individually Controlled Heated Electric Food Wells

Project _____

Item _____

Quantity _____

CSI Section 11400

Approved _____

Date _____

N8700-D Drop-In Individually Controlled Heated Electric Food Wells

Models

- N8717-D Individually heated food wells, accommodates one 12" x 20" pan
- N8731-D Individually heated food wells, accommodates two 12"x 20" pans
- N8745-D Individually heated food wells, accommodates three 12"x 20" pans
- N8759-D Individually heated food wells, accommodates four 12"x 20" pans
- N8773-D Individually heated food wells, accommodates five 12"x 20" pans
- N8787-D Individually heated food wells, accommodates six 12"x 20" pans



N8787-D

Standard Features

- Top is constructed of 18-gauge stainless steel
- Flush mounted die stamped drawn 12" x 20" individual 20-gauge wells
- Wells depressed slightly into the top to hold in condensation
- Standard 1/2" stainless steel drain(s)
- Non-marring press fit top gasket
- Must be hard wired in the field
- Wet and dry operation
- 11.87" x 19.87" single hot food wells are manifolded together standard to one main gate valve
- Unit shall be insulated on all sides with 1" of fiberglass and bottom to have 2" of fiberfrax blanket insulation
- Individual infinite temperature controls standard wired to one main control panel with 4' of conduit and wire. Field install control panel at location
- Galvanized exterior body
- Available for quick shipment
- One year parts and 90 day labor standard warranty

Options & Accessories

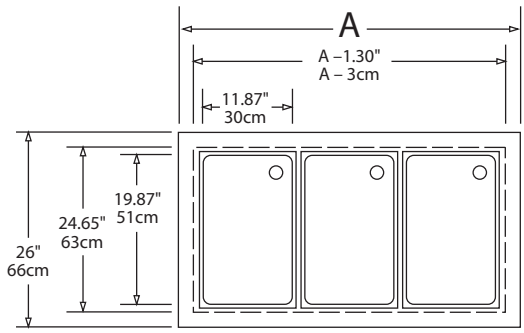
- Adapter plates and bars
- Single- or double-service flip-up sneezeguards
- 220 volt, 50 cycle electrical system*
- Telescoping covers
- Omit drains and manifold
- * Inclusion of this option will alter electrical specifications of the unit

Specifications

Top shall be one-piece 18-gauge stainless steel, with 0.65" (1.7cm) overhang around perimeter and die-stamped 19.87" x 11.87" (50.5cm x 30.2cm) openings with depressed edges. Formed well below each opening shall be 6.25" (15.9cm) deep. Each well shall have an individual temperature control and 1000 watt heating element attached to bottom of well. Each well shall be equipped with a .5" female N.P.T. drain located in right rear corner. All drains manifold to a .5" gate valve at the left. Exterior housing shall be 20-gauge galvanized steel. Unit shall be insulated on sides and between wells with 1.00" (2.5cm) fiberglass; bottom shall have 2.00" (5.1cm) blanket insulation.

Unit shall have all individual controls wired to a control panel for mounting in counter or at a remote location; 4' (1.2 m) length of wiring and conduit are provided. Unit shall have a three-wire electrical junction box to allow hard-wiring at installation.

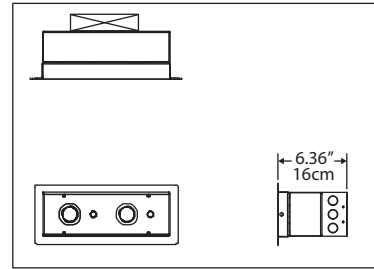




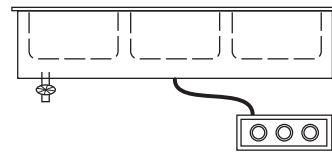
NOTE: Not To Scale

Plan View

Remote Control Detail

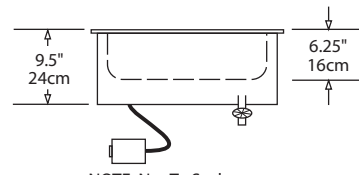


Cutout Dimensions:
 Length varies, see chart below
 Height 4.62" (11.7cm)
 Depth 7.00" (17.8cm)



NOTE: Not To Scale

Elevation View



NOTE: Not To Scale

Right End View

* 3" clearance is required between outside body of installed drop-in and combustible materials.

Specifications

Model	A (Length)	Counter Cutout Dimensions	Control Panel Cutout Dimensions	# Of Food Wells	Volts/Hertz /Phase	Amps	Watts	Ship Weight
N8717-D	17.88" (45.4cm)	16.88" X 25" (42.8cm x 63.5cm)	4.62" x 7" x 7" (11.7cm x 17.8cm x 17.8cm)	1	115/60/1	8.3	1000	41lbs (19kg)
N8731-D	31.75" (80.6cm)	30.75" x 25" (78.1cm x 63.5cm)	4.62" x 10.31" x 7" (11.7cm x 26.2cm x 17.8cm)	2	115/60/1	16.6	2000	99lbs (45kg)
N8745-D	45.63" (115.9cm)	44.62" x 25" (113.3cm x 63.5cm)	4.62" x 14.5" x 7" (11.7cm x 36.8cm x 17.8cm)	3	208-230/60/1	15.0/16.0	3000/4000	134lbs (61kg)
N8759-D	59.5" (151.1cm)	58.5" x 25" (148.6cm x 63.5cm)	4.62" x 18.69" x 7" (11.7cm x 47.5cm x 17.8cm)	4	208-230/60/1	20.0/22.0	4000/4800	166lbs (75kg)
N8773-D	73.38" (186.4cm)	72.37" x 25" (183.8cm x 63.5cm)	4.62" x 22.88" x 7" (11.7cm x 58.1cm x 17.8cm)	5	208-230/60/1	24.0/27.0	5000/6000	186lbs (84kg)
N8787-D	87.25" (221.4cm)	86.25" x 25" (219.1cm x 63.5cm)	4.62" x 27" x 7" (11.7cm x 68.6cm x 17.8cm)	6	208-230/60/1	29.0/32.0	6000/7200	236lbs (107kg)

Delfield reserves the right to make changes to the design or specifications without prior notice.