



# ST4000 Series

Self-Contained Worktop Refrigerator/Freezer

Project \_\_\_\_\_  
 Item \_\_\_\_\_  
 Quantity \_\_\_\_\_  
 CSI Section 11400  
 Approved \_\_\_\_\_  
 Date \_\_\_\_\_

ST4000 Series: Self-Contained Work Top Refrigerator/Freezer

## Models

- ST4048 Two section worktop refrigerator
- ST4148 Two section worktop freezer



ST4048

## Standard Features

- Features Delfield's exclusive ABS interior. ABS is extremely durable - it won't dent, chip or corrode and is backed by a limited lifetime warranty
- Stainless steel front, sides and top
- Environmentally friendly R404A refrigerant
- Foamed in place environmentally friendly, Kyoto Protocol Compliant, Non ODP (Ozone Depletion Potential), Non GWP (Global Warming Potential) polyurethane cuts energy costs
- Black recessed quick grip handle
- Rugged 6" high heavy duty metal legs
- 6' cord and plug supplied
- 4" backsplash
- Four epoxy coated wire shelves standard per unit
- Three year parts and labor warranty and an additional two year compressor parts warranty

## Options & Accessories

- Stainless steel back
  - Plastic laminate on front
  - Additional wire shelves
  - Stainless steel single-tier overshelf
  - 3" (8cm) diameter casters
  - 5" (13cm) diameter casters
  - Door lock
  - 220 volt, 50 Hertz electrical system\*
- \* This option will alter the unit's electrical specifications

## Specifications

**Exterior** top shall be one-piece, 22-gauge stainless steel with front edge turned down to form nosing and rear edge turned up to form a 4" (10 cm) high backsplash. Exterior bottom shall be heavy-gauge galvanized metal. Exterior ends shall be 22-gauge stainless steel.

**Base** interior shall be one-piece thermoformed ABS plastic material, with integral shelf supports. Cabinet shall have (4) epoxy-coated wire shelves installed. Base shall be fully insulated with high-density foamed-in-place environmentally friendly, Kyoto Protocol Compliant, Non ODP (Ozone Depletion Potential), Non GWP (Global Warming Potential) polyurethane.

**Doors** shall have a 22-gauge stainless steel exterior, with a thermoformed ABS plastic interior liner, and shall be fully insulated with foamed-in-place polyurethane. Door handles shall be black, recessed ABS.

**Electrical** connections shall be 115 volt, 60 Hertz, single phase. Unit shall have a 6' (1.8m) long electrical cord and NEMA 5-15P plug. Cord and plug shall be located on rear of cabinet, 16" (41 cm) above floor, 12" (30 cm) from the left.

Equipment shall be mounted on 6" (15 cm) high metal legs with black enamel finish.

### THE FOLLOWING APPLIES TO MODEL ST4048 (REFRIGERATOR) ONLY:

Refrigeration system shall use HFC-404A refrigerant. Compressor shall be 1/5 h.p., with condenser coil and hot gas condensate evaporator mounted on rear of cabinet. Evaporator coil and temperature control shall be mounted on the interior rear wall of the cabinet. Refrigerant flow shall be controlled by a capillary tube. Cabinet shall maintain 36°F to 40°F (2°F to 4°C) interior cabinet temperature.

### THE FOLLOWING APPLIES TO MODEL ST4148 (FREEZER) ONLY:

Refrigeration system shall use HFC-404A refrigerant. Compressor shall be 1/3 h.p., with condenser coil and hot gas condensate evaporator mounted on rear of cabinet. Evaporator coil and temperature control shall be mounted on the interior rear wall of the cabinet. Refrigerant flow shall be controlled by a capillary tube. Cabinet shall maintain -5°F to 0°F (-21°to -18°C) interior cabinet temperature.



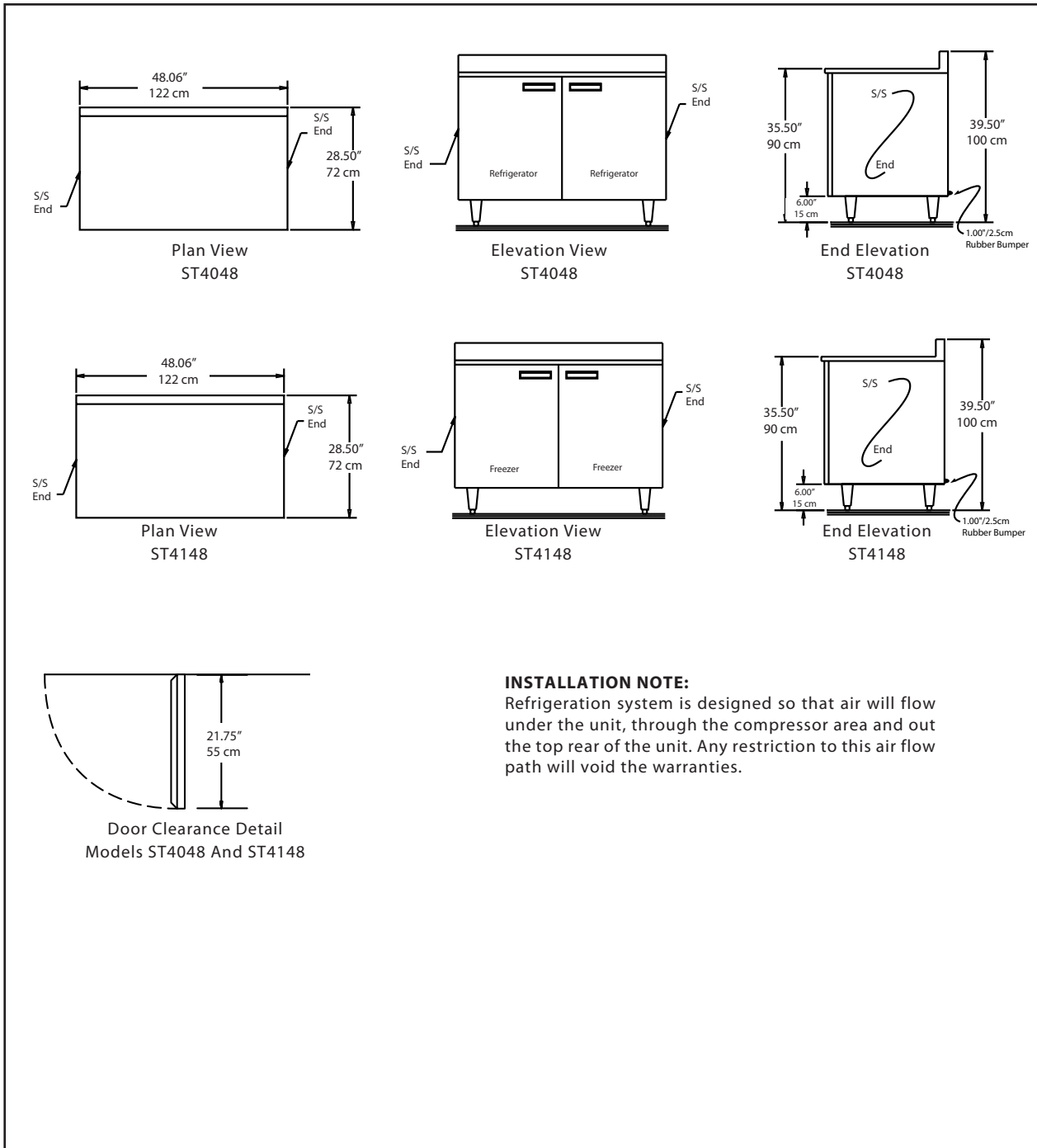
Only Model ST4048





Self-Contained Work Top Refrigerator/Freezer

ST4000 Series



**INSTALLATION NOTE:**

Refrigeration system is designed so that air will flow under the unit, through the compressor area and out the top rear of the unit. Any restriction to this air flow path will void the warranties.

**Specifications**

| Model               | Number of shelves | Shelf Area         | Volume               | H.P. | Volts/Hertz/Phase | Amps | Nema Plug | Ship Weight     | Energy (KWH/Day) |
|---------------------|-------------------|--------------------|----------------------|------|-------------------|------|-----------|-----------------|------------------|
| Refrigerator ST4048 | 4                 | 8.0ft <sup>2</sup> | 10.80ft <sup>3</sup> | 1/5  | 115/60/1          | 4.0  | 5-15P     | 234lbs<br>106kg | 2.04             |
| Freezer ST4148      | 4                 | 8.0ft <sup>2</sup> | 10.80ft <sup>3</sup> | 1/3  | 115/60/1          | 5.6  | 5-15P     | 242lbs<br>110kg | NA               |

980 S. Isabella Rd.  
Mt. Pleasant, Michigan 48858

Phone: 800-733-8948 or 989-773-7981  
Fax: 800-669-0619  
www.delfield.com

Printed in the U.S.A.  
DSST4000  
03/13

