



# GoCart Refrigerator/Freezer

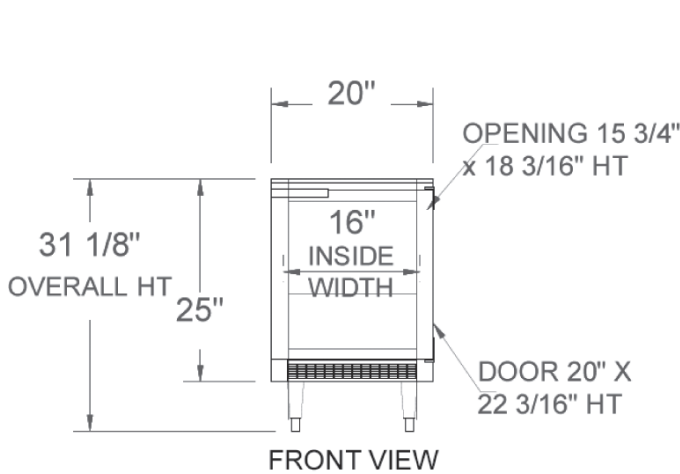
Undercounter Refrigerators And Freezers

Project \_\_\_\_\_  
 Item \_\_\_\_\_  
 Quantity \_\_\_\_\_  
 CSI Section 11400  
 Approved \_\_\_\_\_  
 Date \_\_\_\_\_

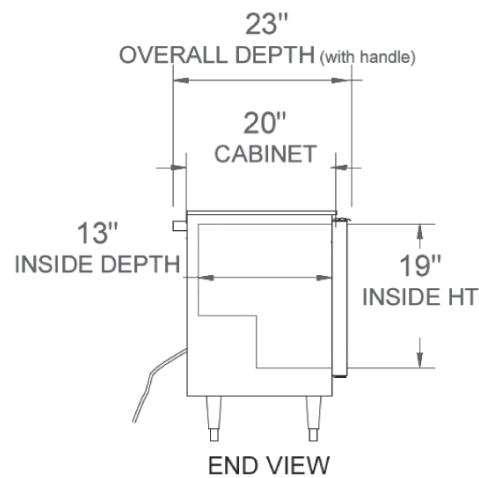
GoCart Refrigerator/Freezer: Undercounter Refrigerators And Freezers

## Models

- UCR20Y - Undercounter Refrigerator, central
- UCF20 - Undercounter Freezer, central



UCR20Y/UCF20 Elevation View



UCR20Y/UCF20 End View

Specifications							
Model	# of Shelves	Storage Capacity	H.P.	V/Hz/Ph	Amps	Ship Weight lbs/kg	Energy KWH/Day
UCR20Y	2	2.7ft <sup>3</sup>	1/6	115/60/1	3.0	119/54	2.73
UCF20	2	2.7ft <sup>3</sup>	1/4	115/60/1	5.3	130/59	6.18



Delfield reserves the right to make changes to the design or specifications without prior notice.

980 S. Isabella Rd.  
 Mt. Pleasant, Michigan 48858

Phone: 800-733-8948 or 989-773-7981  
 Fax: 800-669-0619  
 www.delfield.com

Printed in the U.S.A.  
 DTGCUCRF  
 09/11

