

DRYING AND STORAGE CARTS

Item Numbers

- DX1173X50
- DX1173X80
- DX1173X100

Cradle Inserts

- DX1173XC10



Item Number: DX1173XC10

Item Numbers: DX1173X50 & DX1173X100

Application

The Drying and Storage Carts come fully assembled and ready to use. The frame is constructed of 1" tubular stainless steel for light weight and maximum strength. Cradle supports are 14 gauge welded and polished stainless steel. Cradles are uncoated stainless steel, and will not chip, split or corrode.

Construction

Frame: 16-gauge stainless steel upright frame, 1" diameter

Cradle Support: 14-gauge stainless steel angle bars and 1" stainless steel center supports to hold removable cradle inserts (shipped with cart)

Casters: Four-5" swivel casters: Two have locking brakes

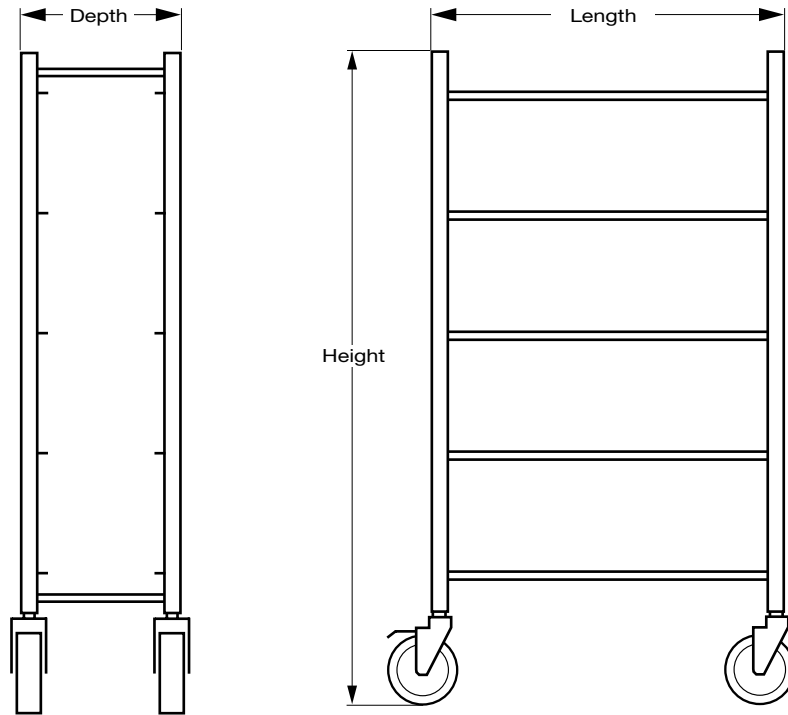
Features

- Industrial-strength swivel-stem casters provide easy maneuverability. Locking wheels on 2 casters will secure cart in place.
- Carts feature a unique cradle design for easy loading, efficient drying and storage.
- Cradles are removable for easier ware washing in dish machine.
- Dry and store combinations for domes, insul-bases and underliners on the same cart for convenient storage, transport and tray make-up.
- Three sizes are available to meet your space requirements and storage needs.

Warranty

One year parts and labor.

DRYING AND STORAGE CARTS

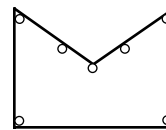


Items and Dimensions

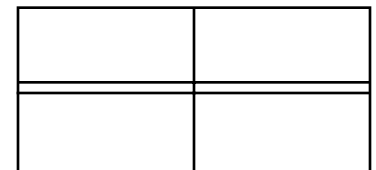
ITEM NUMBER	MODEL NUMBER	LENGTH	DEPTH	HEIGHT	WITH CRADLE	SHIP WEIGHT	SHIP CUBE	CRADLE SPACING	SHELF SPACING	NUMBER OF CRADLES	DOMES/ UNDERLINERS PER CRADLE	TOTAL CAP. DOMES/ UNDERLINERS
DX1173X50	1173/X50	19.5" (50cm)	20.25" (51cm)	73" (185cm)	79" (201cm)	115 lb. (52.2kg)	19.2	3.5" (9cm)	13" (33cm)	5	10/20	50/100
DX1173X80	1173/x80	40" (102cm)	20.25" (51cm)	59" (150cm)	65" (165cm)	125 lb. (56.8kg)	29.9	3.5" (9cm)	13" (33cm)	8	10/20	80/160
DX1173X100	1173/x100	40" (102cm)	20.25" (51cm)	73" (185cm)	19" (201cm)	145 lb. (65.8kg)	36.3	3.5" (9cm)	13" (33cm)	10	10/20	100/200

Cradle Insert

Item Number	Model Number	Length	Depth	Height
DX1173XC10	1173/XC10	18"	17.5"	10.5"



Front View



Side View

Stainless steel cradle insert 14-gauge (uncoated) stainless steel



Please confirm that you have the most current specification sheet by visiting www.dinex.com.
Dinex® reserves the right to change specifications and product design without notice.
Such revisions do not entitle the buyer to corresponding changes, improvements, additions or replacements for previously purchased equipment.



Building 2, Suite 106
628 Hebron Avenue
Glastonbury, CT 06033
800.523.9752 Fax: 860.652.3135
www.dinex.com