

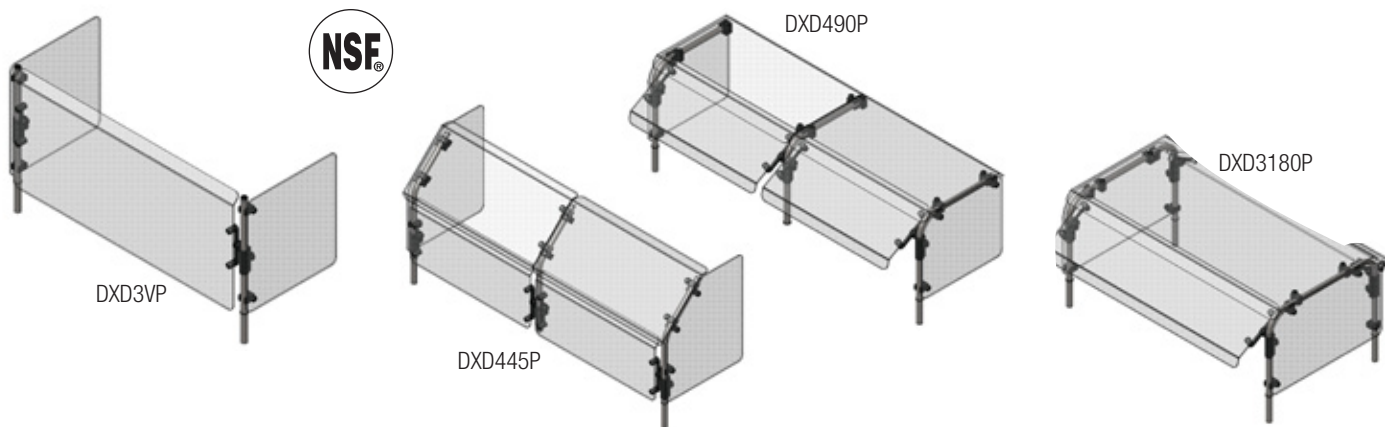
Adjustable Guards

The only NSF listed sneeze guard for both crew and self-serve applications.



- Fully adjustable
- Works with self-serve and server-style dining; one unit can be adjusted for both applications during different parts of the day
- Made of clear, break-resistant polycarbonate
- Available with or without lights, with or without heat or with a combination of both
- NSF Listed

DINEX[®]
A **CARLISLE** COMPANY



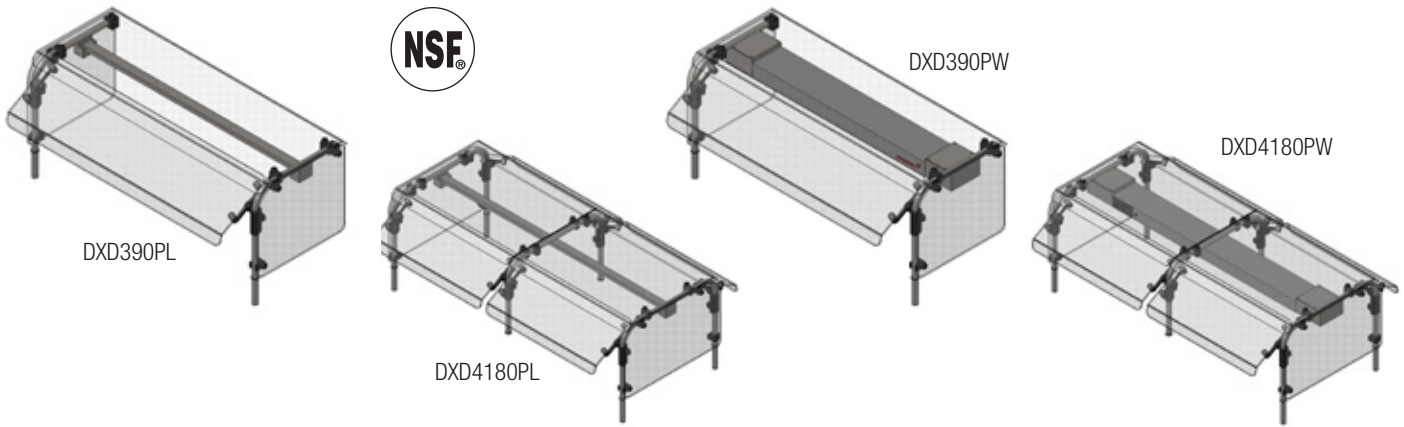
| Prod No | Description | L x D x H | Pack | Cs Wt/Cube | List Price |
|----------------------------------|--|------------------------------|------|-------------|------------|
| Vertical Adjustable Guard | | | | | |
| DXD2VP Δ | 2 Well | 33.875" x 19.125" x 25.6875" | 1 ea | 31.50/9.63 | |
| DXD3VP Δ | 3 Well | 47.875" x 19.125" x 25.6875" | 1 ea | 38.00/13.61 | |
| DXD4VP Δ | 4 Well | 61.875" x 19.125" x 25.6875" | 1 ea | 45.00/17.59 | |
| DXD5VP Δ | 5 Well | 75.875" x 19.125" x 25.6875" | 1 ea | 51.40/75.88 | |
| DXD6VP Δ | 6 Well | 89.875" x 19.125" x 25.6875" | 1 ea | 56.00/25.55 | |
| DXD4VPDT Δ | 4 Well for Acrylic and Engineered Stone Tops | 61.875" x 19.125" x 25.6875" | 1 ea | 45.00/17.59 | |
| DXD5VPDT Δ | 5 Well for Acrylic and Engineered Stone Tops | 75.875" x 19.125" x 25.6875" | 1 ea | 51.40/21.57 | |
| DXD6VPDT Δ | 6 Well for Acrylic and Engineered Stone Tops | 89.875" x 19.125" x 25.6875" | 1 ea | 56.00/25.55 | |

| Prod No | Description | L x D x H | Pack | Cs Wt/Cube | List Price |
|-----------------------------------|--|------------------------------|------|-------------|------------|
| 45 Degree Adjustable Guard | | | | | |
| DXD245P Δ | 2 Well | 33.875" x 19.125" x 28.1875" | 1 ea | 38.30/10.57 | |
| DXD345P Δ | 3 Well | 47.875" x 19.125" x 28.1875" | 1 ea | 45.30/14.94 | |
| DXD445P Δ | 4 Well | 61.875" x 19.125" x 28.1875" | 1 ea | 62.30/19.30 | |
| DXD545P Δ | 5 Well | 75.875" x 19.125" x 28.1875" | 1 ea | 73.40/23.67 | |
| DXD645P Δ | 6 Well | 89.875" x 19.125" x 28.1875" | 1 ea | 82.40/28.04 | |
| DXD445PDT Δ | 4 Well for Acrylic and Engineered Stone Tops | 61.875" x 19.125" x 28.1875" | 1 ea | 62.30/19.30 | |
| DXD545PDT Δ | 5 Well for Acrylic and Engineered Stone Tops | 75.875" x 19.125" x 28.1875" | 1 ea | 73.40/23.67 | |
| DXD645PDT Δ | 6 Well for Acrylic and Engineered Stone Tops | 89.875" x 19.125" x 28.1875" | 1 ea | 82.40/28.04 | |

| Prod No | Description | L x D x H | Pack | Cs Wt/Cube | List Price |
|-----------------------------------|--|----------------------------|------|-------------|------------|
| 90 Degree Adjustable Guard | | | | | |
| DXD290P Δ | 2 Well | 33.875" x 25.375" x 21.50" | 1 ea | 39.70/10.69 | |
| DXD390P Δ | 3 Well | 47.875" x 25.375" x 21.50" | 1 ea | 47.70/15.12 | |
| DXD490P Δ | 4 Well | 61.875" x 25.375" x 21.50" | 1 ea | 64.30/19.54 | |
| DXD590P Δ | 5 Well | 75.875" x 25.375" x 21.50" | 1 ea | 75.40/23.96 | |
| DXD690P Δ | 6 Well | 89.875" x 25.375" x 21.50" | 1 ea | 84.30/28.38 | |
| DXD490PDT Δ | 4 Well for Acrylic and Engineered Stone Tops | 61.875" x 25.375" x 21.50" | 1 ea | 64.30/19.54 | |
| DXD590PDT Δ | 5 Well for Acrylic and Engineered Stone Tops | 75.875" x 25.375" x 21.50" | 1 ea | 75.40/23.96 | |
| DXD690PDT Δ | 6 Well for Acrylic and Engineered Stone Tops | 89.875" x 25.375" x 21.50" | 1 ea | 84.30/28.38 | |

| Prod No | Description | L x D x H | Pack | Cs Wt/Cube | List Price |
|------------------------------------|--|----------------------------|------|--------------|------------|
| 180 Degree Adjustable Guard | | | | | |
| DXD2180P Δ | 2 Well | 33.875" x 37.8125" x 22.0" | 1 ea | 45.30/16.31 | |
| DXD3180P Δ | 3 Well | 47.875" x 37.8125" x 22.0" | 1 ea | 53.10/23.05 | |
| DXD4180P Δ | 4 Well | 61.875" x 37.8125" x 22.0" | 1 ea | 100.70/29.79 | |
| DXD5180P Δ | 5 Well | 75.875" x 37.8125" x 22.0" | 1 ea | 111.60/36.53 | |
| DXD6180P Δ | 6 Well | 89.875" x 37.8125" x 22.0" | 1 ea | 121.40/43.27 | |
| DXD4180PDT Δ | 4 Well for Acrylic and Engineered Stone Tops | 61.875" x 37.8125" x 22.0" | 1 ea | 100.70/29.79 | |
| DXD5180PDT Δ | 5 Well for Acrylic and Engineered Stone Tops | 75.875" x 37.8125" x 22.0" | 1 ea | 111.60/36.53 | |
| DXD6180PDT Δ | 6 Well for Acrylic and Engineered Stone Tops | 89.875" x 37.8125" x 22.0" | 1 ea | 121.40/43.27 | |

NSF Listed products are designated with a Δ



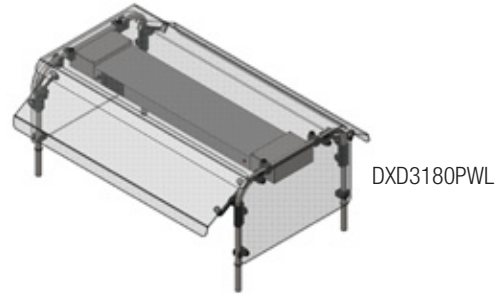
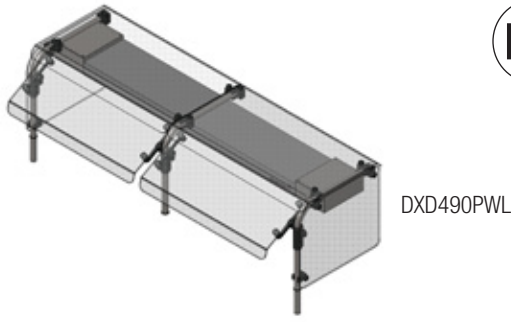
| Prod No | Description | L x D x H | Pack | Cs Wt/Cube | List Price |
|---|--|----------------------------|------|-------------|------------|
| 90 Degree Adjustable Guard with Fluorescent Lights | | | | | |
| DXD290PL Δ | 2 Well | 33.875" x 25.375" x 21.50" | 1 ea | 47.70/10.69 | |
| DXD390PL Δ | 3 Well | 47.875" x 25.375" x 21.50" | 1 ea | 56.70/15.12 | |
| DXD490PL Δ | 4 Well | 61.875" x 25.375" x 21.50" | 1 ea | 74.30/19.54 | |
| DXD590PL Δ | 5 Well | 75.875" x 25.375" x 21.50" | 1 ea | 86.40/23.96 | |
| DXD690PL Δ | 6 Well | 89.875" x 25.375" x 21.50" | 1 ea | 96.30/28.38 | |
| DXD490PDTL Δ | 4 Well for Acrylic and Engineered Stone Tops | 61.875" x 25.375" x 21.50" | 1 ea | 74.30/19.54 | |
| DXD590PDTL Δ | 5 Well for Acrylic and Engineered Stone Tops | 75.875" x 25.375" x 21.50" | 1 ea | 86.40/23.96 | |
| DXD690PDTL Δ | 6 Well for Acrylic and Engineered Stone Tops | 89.875" x 25.375" x 21.50" | 1 ea | 96.30/28.38 | |

| Prod No | Description | L x D x H | Pack | Cs Wt/Cube | List Price |
|--|--|----------------------------|------|--------------|------------|
| 180 Degree Adjustable Guard with Fluorescent Lights | | | | | |
| DXD2180PL Δ | 2 Well | 33.875" x 37.8125" x 22.0" | 1 ea | 53.30/16.31 | |
| DXD3180PL Δ | 3 Well | 47.875" x 37.8125" x 22.0" | 1 ea | 62.10/23.05 | |
| DXD4180PL Δ | 4 Well | 61.875" x 37.8125" x 22.0" | 1 ea | 110.70/29.79 | |
| DXD5180PL Δ | 5 Well | 75.875" x 37.8125" x 22.0" | 1 ea | 122.60/36.53 | |
| DXD6180PL Δ | 6 Well | 89.875" x 37.8125" x 22.0" | 1 ea | 133.40/43.27 | |
| DXD4180PDTL Δ | 4 Well for Acrylic and Engineered Stone Tops | 61.875" x 37.8125" x 22.0" | 1 ea | 110.70/29.79 | |
| DXD5180PDTL Δ | 5 Well for Acrylic and Engineered Stone Tops | 75.875" x 37.8125" x 22.0" | 1 ea | 122.60/36.53 | |
| DXD6180PDTL Δ | 6 Well for Acrylic and Engineered Stone Tops | 89.875" x 37.8125" x 22.0" | 1 ea | 133.40/43.27 | |

| Prod No | Description | L x D x H | Pack | Cs Wt/Cube | List Price |
|---|--|----------------------------|------|--------------|------------|
| 90 Degree Adjustable Guard with Warmer | | | | | |
| DXD290PW Δ | 2 Well | 33.875" x 25.375" x 21.50" | 1 ea | 58.80/10.69 | |
| DXD390PW Δ | 3 Well | 47.875" x 25.375" x 21.50" | 1 ea | 72.30/15.12 | |
| DXD490PW Δ | 4 Well | 61.875" x 25.375" x 21.50" | 1 ea | 94.40/19.54 | |
| DXD590PW Δ | 5 Well | 75.875" x 25.375" x 21.50" | 1 ea | 111.00/23.96 | |
| DXD690PW Δ | 6 Well | 89.875" x 25.375" x 21.50" | 1 ea | 125.40/28.38 | |
| DXD490PDTW Δ | 4 Well for Acrylic and Engineered Stone Tops | 61.875" x 25.375" x 21.50" | 1 ea | 94.40/19.54 | |
| DXD590PDTW Δ | 5 Well for Acrylic and Engineered Stone Tops | 75.875" x 25.375" x 21.50" | 1 ea | 111.00/23.96 | |
| DXD690PDTW Δ | 6 Well for Acrylic and Engineered Stone Tops | 89.875" x 25.375" x 21.50" | 1 ea | 125.40/28.38 | |

| Prod No | Description | L x D x H | Pack | Cs Wt/Cube | List Price |
|--|--|----------------------------|------|--------------|------------|
| 180 Degree Adjustable Guard with Warmer | | | | | |
| DXD2180PW Δ | 2 Well | 33.875" x 37.8125" x 22.0" | 1 ea | 64.40/16.31 | |
| DXD3180PW Δ | 3 Well | 47.875" x 37.8125" x 22.0" | 1 ea | 77.70/23.05 | |
| DXD4180PW Δ | 4 Well | 61.875" x 37.8125" x 22.0" | 1 ea | 130.80/29.79 | |
| DXD5180PW Δ | 5 Well | 75.875" x 37.8125" x 22.0" | 1 ea | 147.20/36.53 | |
| DXD6180PW Δ | 6 Well | 89.875" x 37.8125" x 22.0" | 1 ea | 162.50/43.27 | |
| DXD4180PDTW Δ | 4 Well for Acrylic and Engineered Stone Tops | 61.875" x 37.8125" x 22.0" | 1 ea | 130.80/29.79 | |
| DXD5180PDTW Δ | 5 Well for Acrylic and Engineered Stone Tops | 75.875" x 37.8125" x 22.0" | 1 ea | 147.20/36.53 | |
| DXD6180PDTW Δ | 6 Well for Acrylic and Engineered Stone Tops | 89.875" x 37.8125" x 22.0" | 1 ea | 162.50/43.27 | |

NSF Listed products are designated with a Δ



| Prod No | Description | L x D x H | Pack | Cs Wt/Cube | List Price |
|--|--|----------------------------|------|--------------|------------|
| 90 Degree Adjustable Guard with Warmer & Lights | | | | | |
| DXD290PWL Δ | 2 Well | 33.875" x 25.375" x 21.50" | 1 ea | 63.60/10.69 | |
| DXD390PWL Δ | 3 Well | 47.875" x 25.375" x 21.50" | 1 ea | 78.10/15.12 | |
| DXD490PWL Δ | 4 Well | 61.875" x 25.375" x 21.50" | 1 ea | 101.30/19.54 | |
| DXD590PWL Δ | 5 Well | 75.875" x 25.375" x 21.50" | 1 ea | 119.00/23.96 | |
| DXD690PWL Δ | 6 Well | 89.875" x 25.375" x 21.50" | 1 ea | 134.50/28.38 | |
| DXD490PDTWL Δ | 4 Well for Acrylic and Engineered Stone Tops | 61.875" x 25.375" x 21.50" | 1 ea | 101.30/19.54 | |
| DXD590PDTWL Δ | 5 Well for Acrylic and Engineered Stone Tops | 75.875" x 25.375" x 21.50" | 1 ea | 119.00/23.96 | |
| DXD690PDTWL Δ | 6 Well for Acrylic and Engineered Stone Tops | 89.875" x 25.375" x 21.50" | 1 ea | 134.50/28.38 | |

| Prod No | Description | L x D x H | Pack | Cs Wt/Cube | List Price |
|---|--|----------------------------|------|--------------|------------|
| 180 Degree Adjustable Guard with Warmer & Lights | | | | | |
| DXD2180PWL Δ | 2 Well | 33.875" x 37.8125" x 22.0" | 1 ea | 69.20/16.31 | |
| DXD3180PWL Δ | 3 Well | 47.875" x 37.8125" x 22.0" | 1 ea | 83.50/23.05 | |
| DXD4180PWL Δ | 4 Well | 61.875" x 37.8125" x 22.0" | 1 ea | 137.70/29.79 | |
| DXD5180PWL Δ | 5 Well | 75.875" x 37.8125" x 22.0" | 1 ea | 155.20/36.53 | |
| DXD6180PWL Δ | 6 Well | 89.875" x 37.8125" x 22.0" | 1 ea | 171.60/43.27 | |
| DXD4180PDTWL Δ | 4 Well for Acrylic and Engineered Stone Tops | 61.875" x 37.8125" x 22.0" | 1 ea | 137.70/29.79 | |
| DXD5180PDTWL Δ | 5 Well for Acrylic and Engineered Stone Tops | 75.875" x 37.8125" x 22.0" | 1 ea | 155.20/36.53 | |
| DXD6180PDTWL Δ | 6 Well for Acrylic and Engineered Stone Tops | 89.875" x 37.8125" x 22.0" | 1 ea | 171.60/43.27 | |

NSF Listed products are designated with a [Δ](#)

For more information please contact your local sales representative