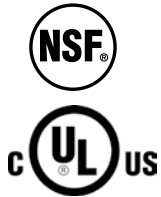


HOT/COLD FOOD COUNTER

DineXpress®



Counter options and laminate panels available. Stainless steel panels standard.

Item Numbers

- DXDHC2
- DXDHC3
- DXDHC4
- DXDHC5
- DXDHC6

Application

The DineX Hot/Cold Food Counters will help you present your food. The versatile modular design allows you to custom design either a cafeteria or a buffet unit to fit your line-up choosing only the options and accessories that you want and need. DineXpress units are compatible and will interlock with other DineXpress units.

Construction

General: Units have a 16-gauge 300 series stainless steel top with 1-1/2" turn down on all sides. Front and end panels are 18-gauge stainless steel. The legs are 14-gauge stainless steel. The Hot/Cold Food Counters have 5" well and a 1" drain with a shut-off valve. The stainless steel pan is separated from the top by means of full perimeter plastic breaker strips.

Casters: The unit is mounted on 5" diameter, heavy duty, non-marking swivel casters, 2 are fitted with brakes.

Refrigeration System: The refrigeration system includes a 1/3 condensing unit. The refrigerant is type 134A. This design assures that food temperatures are always at the safe level.

Heated System: 1000 watts per well controlled with a single control knob. This unit comes standard with adaptors to handle full size 12 x 20 pans.

Electrical: 120/208 volt, 1-phase with a 10' cord see chart for NEMA plug number.

Options

- Tray slide
- Food protector
- Work shelf
- Refrigerated Base
- Formica laminate panels
- Outlet

Warranty

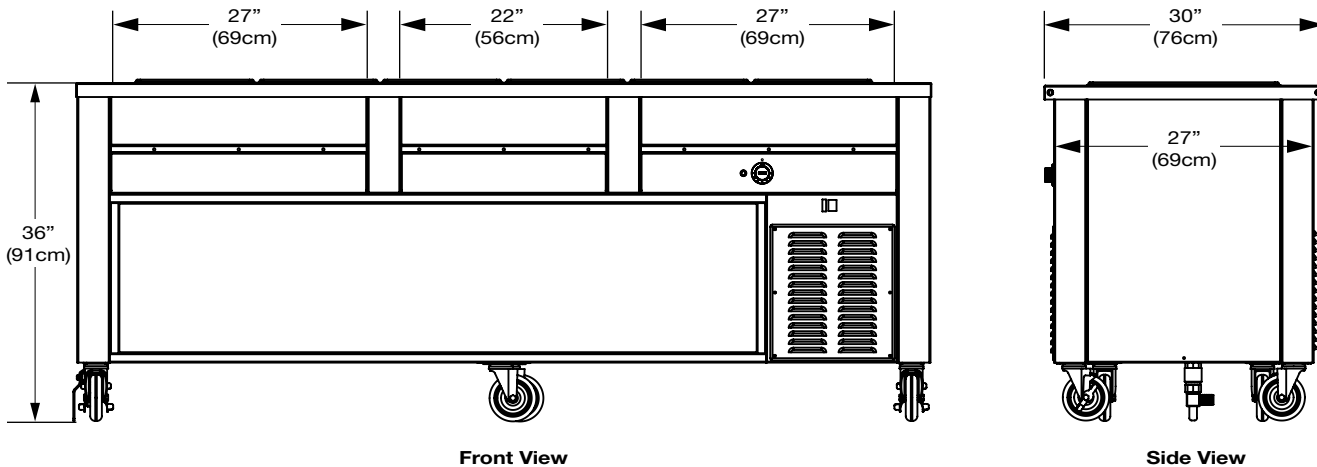
One year parts and labor.

DINEX®

Building 2, Suite 106
628 Hebron Avenue
Glastonbury, CT 06033
800.523.9752 Fax: 860.652.3135
www.dinex.com

HOT/COLD FOOD COUNTER

DineXpress.



Items and Dimensions

ITEM NUMBER	MODEL NUMBER	LENGTH	DEPTH	HEIGHT	SHIP WEIGHT	HP	VOLTS	AMPS COLD	AMPS HOT	NEMA NUMBER
DXDHC2	DHC/2	35" (88.9cm)	30" (76.2cm)	36" (91.4cm)	390 lb. (177kg)	1/3	120v / 208v	7.2	9.6	14-20P
DXDHC3	DHC/3	49" (124.5cm)	30" (76.2cm)	36" (91.4cm)	430 lb. (195kg)	1/3	120v / 208v	7.2	14.4	14-20P
DXDHC4	DHC/4	63" (160.0cm)	30" (76.2cm)	36" (91.4cm)	470 lb. (213kg)	1/3	120v / 208v	7.2	19.2	14-30P
DXDHC5	DHC/5	77" (195.6cm)	30" (76.2cm)	36" (91.4cm)	510 lb. (231kg)	1/2	120v / 208v	8.8	24.0	14-30P
DXDHC6	DHC/6	91" (231.1cm)	30" (76.2cm)	36" (91.4cm)	555 lb. (252kg)	1/2	120v / 208v	8.8	28.8	14-50P

DINEX | **CARLISLE**
INNOVATION FOR HEALTHCARE FOODSERVICE

Please confirm that you have the most current specification sheet by visiting www.dinex.com.
Dinex® reserves the right to change specifications and product design without notice.
Such revisions do not entitle the buyer to corresponding changes, improvements, additions or replacements for previously purchased equipment.

Printed in USA

DINEX®

Building 2, Suite 106
628 Hebron Avenue
Glastonbury, CT 06033
800.523.9752 Fax: 860.652.3135
www.dinex.com

415-REV 10/09