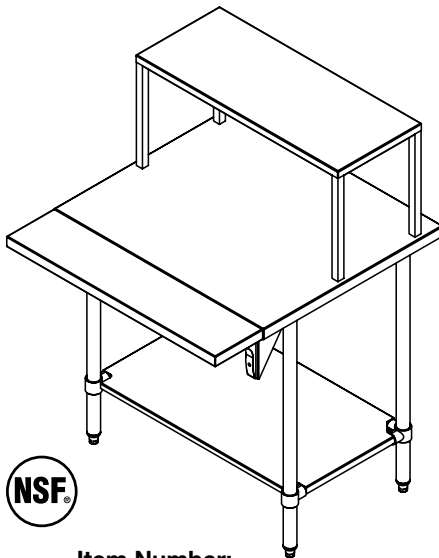


VALUE LINE SOLID TOP & BEVERAGE URN STAND COUNTERS

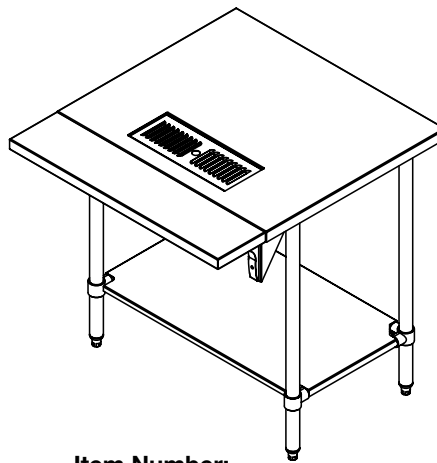
ValuXpress®

Item Numbers

- DXDVLST2
- DXDVLST3
- DXDVLUS2
- DXDVLUS3



Item Number:
DXDVLST2
Shown with optional over head shelf and work shelf



Item Number:
DXDVLUS2
Shown with optional work shelf

Application

The ValuXpress Value Line Solid Top & Beverage Urn Stand Counters offers an economical alternative to the way you present your food.

Construction

General: The Dinex Value Line Solid Tops and Beverage Urn Stand Units shall have a 16-gauge stainless steel top with 1-1/2" turn down on all sides. The legs shall be 1-5/8" stainless steel.

Casters: The Dinex Value Solid Tops and Beverage Urn Stands Units are provided with adjustable feet. Optional 5" diameter, heavy-duty, swivel casters two fitted with brakes are available.

Options

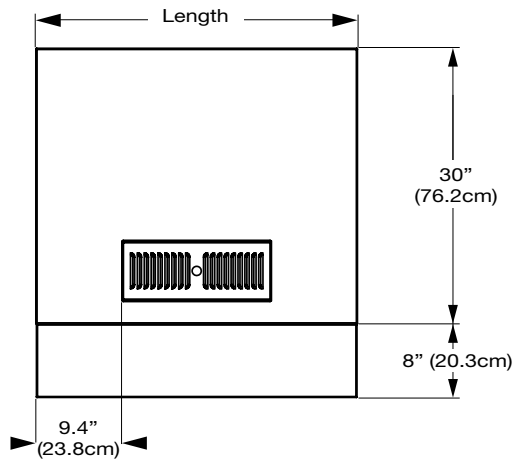
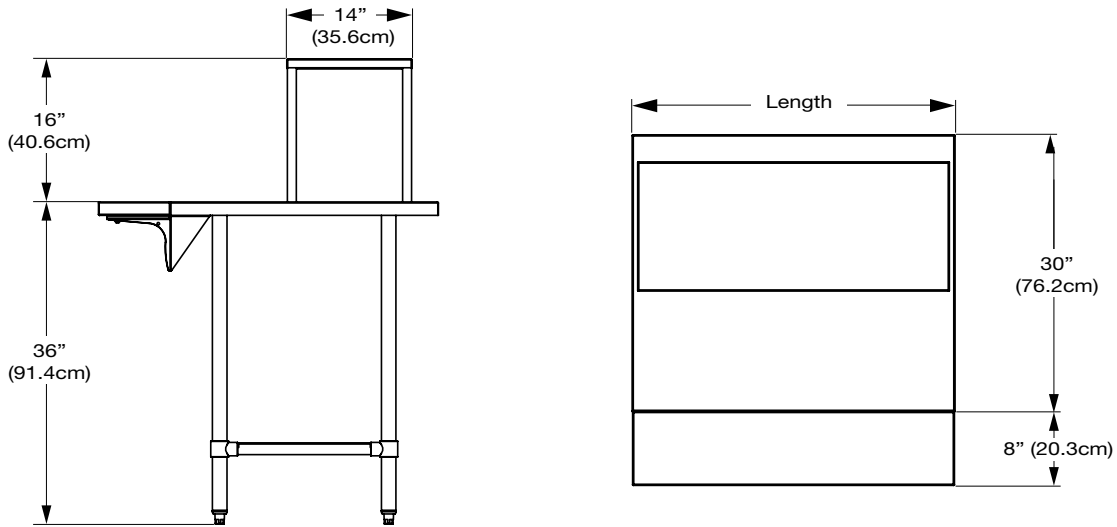
- Work shelf
- Duplex outlet
- Over head shelf
- Casters
- 3-Bar Tray slide
- Full Service Guard

Warranty

One year parts and labor.

VALUE LINE SOLID TOP & BEVERAGE URN STAND COUNTERS

ValuXpress



Items and Dimensions

ITEM NUMBER	MODEL NUMBER	LENGTH	DEPTH	HEIGHT	SHIP WEIGHT	SHIP CUBE
DXDVLST2	DVLST/2	35" (88.9cm)	30" (76.2cm)	36" (91.4cm)	145 lb. (65.8kg)	15.6
DXDVLST3	DVLST/3	49" (124.5cm)	30" (76.2cm)	36" (91.4cm)	190 lb. (86.2kg)	23.8
DXDVUS2	DVLUS/2	35" (134.6cm)	30" (76.2cm)	36" (91.4cm)	145 lb. (65.8kg)	15.6
DXDVUS3	DVLUS/3	49" (124.5cm)	30" (76.2cm)	36" (91.4cm)	190 lb. (86.2kg)	23.8

DINEX | **CARLISLE**
INNOVATION FOR HEALTHCARE FOODSERVICE

Please confirm that you have the most current specification sheet by visiting www.dinex.com.
Dinex® reserves the right to change specifications and product design without notice.
Such revisions do not entitle the buyer to corresponding changes, improvements, additions or replacements for previously purchased equipment.

Printed in USA

DINEX®

Building 2, Suite 106
628 Hebron Avenue
Glastonbury, CT 06033
800.523.9752 Fax: 860.652.3135
www.dinex.com

452-REV 10/09