

INSULATED TRAY STACKING CART



Item Number: DXICSTG24

Item Numbers

- DXICSTSU24
- DXICSTG24
- DXICSTO48
- DXICSTO84

Application

These tray carts are designed to transport the insulated tray from the meal assembly point to the serving area. They are as tough as their environment and will provide years of outstanding service.

Structural Design

These heavy-duty tray carts are fabricated of 1" square 14 gauge stainless steel (type 304 polished) tubing bent to a 2" radius to form a U-shaped frame with a 1" OD stainless steel tube push handle continuously welded to a 14 gauge stainless steel triangular bracket, fully welded to the frame.

The shelves are made of 18 gauge stainless steel with three hemmed edges turned up, fully welded to the frame with a continuous weld that has been polished. Surface of the bottom shelf is 10.75" (27cm) from the floor; surface of

the top shelf is 30.75" (78cm) from the floor. Top shelf is reinforced with two 18 gauge stainless steel angles welded to the bottom side and four gussets welded to shelf and uprights.

At the handle end, two swivel ball bearing plate casters with 5" (13cm) diameter polyurethane wheels are bolted to 14 gauge stainless steel channels with .3125" (.79cm) stainless steel bolts with nylon stop nuts. Opposite end has two rigid ball bearing plate casters with 5" (13cm) diameter polyurethane wheels bolted as above.

Donut bumpers are attached to each end of the handle and secured. At the opposite end, a 6" (15cm) vertical corner bumper is mounted to each upright.

Standard Features

- All stainless steel construction
- Belt slots
- Two corner bumpers
- Donut bumper on handles

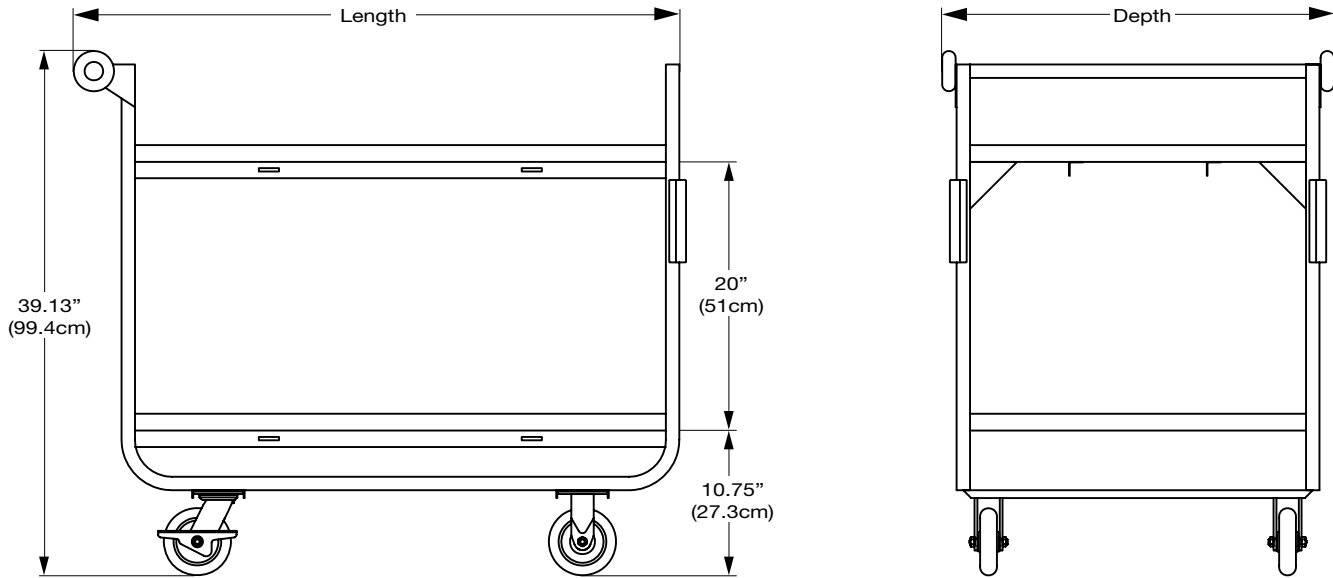
Warranty

One year parts and labor.

DINEX®

Building 2, Suite 106
628 Hebron Avenue
Glastonbury, CT 06033
800.523.9752 Fax: 860.652.3135
www.dinex.com

INSULATED TRAY STACKING CART



Items and Dimensions

STACKING TRAY CARTS	MODEL NUMBER	LENGTH	DEPTH	HEIGHT	CAPACITY	SHIP WEIGHT	SHIP CUBE
DXICSTG24 (Gemini)	ICSTG/24	45.19" (114.8cm)	29" (73.7cm)	39.50" (100.3cm)	24-36 Trays	149 lb. (67.6kg)	31.6
DXICSTSU24 (Solar/Ultima)	ICSTSU/24	49.69" (126.2cm)	34" (86.4cm)	39.50" (110.3cm)	24 Trays	149 lb. (67.6kg)	43.8
DXICSTO48 (Omni)	ICSTO/48	36.69" (93.2cm)	30" (76.2cm)	39.50" (110.3cm)	48 Trays	149 lb. (67.6kg)	26.3
DXICSTO84 (Omni)	ICSTO/84	55.69" (141.5cm)	30" (76.2cm)	39.50" (110.3cm)	72-84 Trays	149 lb. (67.6kg)	42.6

Options

Web Belt

- 96" (244cm)

Shelf Sizes

STACKING TRAY CARTS	SHELF LENGTH	SHELF DEPTH
DXICSTG24 (Gemini)	39.50" (100.3cm)	27" (68.6cm)
DXICSTSU24 (Solar/Ultima)	44" (111.8cm)	32" (81.3cm)
DXICSTO48 (Omni)	31" (78.7cm)	28" (71.1cm)
DXICSTO84 (Omni)	50" (127.0cm)	28" (71.1cm)



Please confirm that you have the most current specification sheet by visiting www.dinex.com.

Dinex® reserves the right to change specifications and product design without notice.

Such revisions do not entitle the buyer to corresponding changes, improvements, additions or replacements for previously purchased equipment.



Building 2, Suite 106

628 Hebron Avenue

Glastonbury, CT 06033

800.523.9752 Fax: 860.652.3135

www.dinex.com