

DROP-IN PLATE DISPENSERS



Application

These self-leveling drop-in plate dispensers are offered in two styles; unheated shielded base, and heated shielded base.

Construction

Units are welded stainless steel construction. Dispensers hang from surface opening by an 18-gauge flange ring and three each 22-gauge vertical side supports welded to 20-gauge bottom plate. Self-leveling dish carriages are welded stainless steel construction and travel vertically in dispenser tubes with nylon guides for smooth operation. Carriage has 22-gauge removable dish platform. Unit features flange mounted perimeter extension springs, which are detachable to provide adjustment without use of tools.

Heated Models

Units are 120 volt 60 Hz and have 5' power supply cord with L15-5P NEMA plug. Heating system features thermostatic control in a tamper protective location with safe high-end shut-off. Thermostat is field adjustable between 100 to 180 degrees. On/off switch and power indicator light are mounted on top flange of dispenser.

Item Numbers

- DXIDPDS0910
- DXIDPDS1012
- DXIDPDS1200
- DXIDPHD0912
- DXIDPHD1012
- DXIDPHD1200

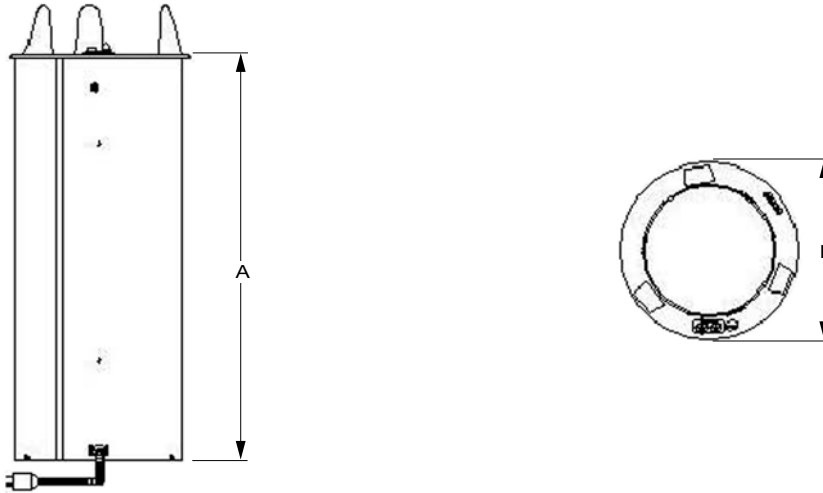
Warranty

One year parts and labor.

DINEX®

Building 2, Suite 106
628 Hebron Avenue
Glastonbury, CT 06033
800.523.9752 Fax: 860.652.3135
www.dinex.com

DROP-IN PLATE DISPENSERS



Items and Dimensions

ITEM NUMBER	MODEL NUMBER	A	B	CUT OUT DIAMETER	ELECTRICAL		MAX PLATE SIZE	SHIP WEIGHT	SHIP CUBE
					WATTS	AMPS			
DXIDPDS0912	IDPDS/0912	28" (71.1cm)	12.375" (31.4cm)	11.5625" (29.0cm)	-	-	9.125" (23.2cm)	88 lb. (40kg)	2.8
DXIDPDS1012	IDPDS/1012	28" (71.1cm)	13.375" (34.0cm)	12.5625" (32.0cm)	-	-	10.125" (25.7cm)	89 lb. (41kg)	3.4
DXIDPDS1200	IDPDS/1200	28" (71.1cm)	15.875" (40.3cm)	14.6875" (37.3cm)	-	-	12.25" (31.1cm)	94 lb. (43kg)	4.7

ITEM NUMBER	MODEL NUMBER	A	B	CUT OUT DIAMETER	ELECTRICAL		MAX PLATE SIZE	SHIP WEIGHT	SHIP CUBE
					WATTS	AMPS			
DXIDPHD0912	IDPHD/0912	28" (71.1cm)	12.375" (31.4cm)	11.5625" (29.0cm)	450	3.8	9.125" (23.2cm)	91 lb. (41.3kg)	2.8
DXIDPHD1012	IDPHD/1012	28" (71.1cm)	13.375" (34.0cm)	12.5625" (32.0cm)	450	3.8	10.125" (25.7cm)	93 lb. (42.2kg)	3.4
DXIDPHD1200	IDPHD/1200	28" (71.1cm)	15.875" (40.3cm)	14.6875" (37.3cm)	450	3.8	12.25" (31.1cm)	97 lb. (44.2kg)	4.7



Please confirm that you have the most current specification sheet by visiting www.dinex.com.
 Dinex® reserves the right to change specifications and product design without notice.
 Such revisions do not entitle the buyer to corresponding changes, improvements, additions or replacements for previously purchased equipment.

DINEX®

Building 2, Suite 106
 628 Hebron Avenue
 Glastonbury, CT 06033
 800.523.9752 Fax: 860.652.3135
www.dinex.com