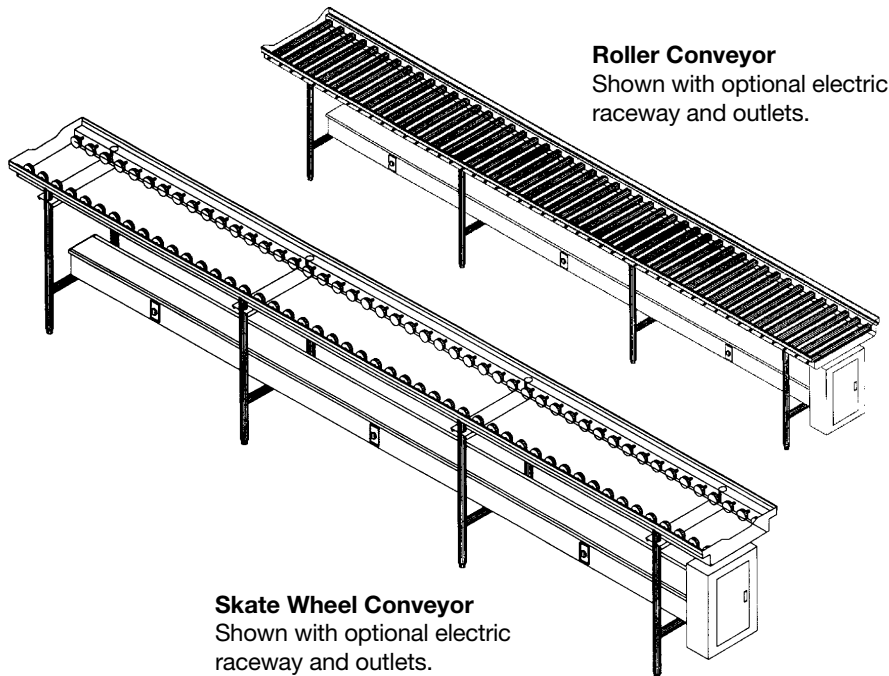


ROLLER & SKATE WHEEL CONVEYORS



Item Numbers

Skate Wheel Conveyors

- DXIESSW10
- DXIESSW12
- DXIESSW14
- DXIESSW16
- DXIESSW18
- DXIESSW20

Roller Conveyors

- DXIESR10
- DXIESR12
- DXIESR14
- DXIESR16
- DXIESR18
- DXIESR20

Application

The straight-line roller and skate wheel conveyors are designed for tray make-up operations. These conveyors will help streamline tray assembly for any healthcare or catering operation. These units can be equipped with raceways and breaker panels for on-line support equipment connections. Mobile or stationary, these units are designed for easy cleaning and long life. Since these units are built to customer specification some units may not be available in mobile configuration. Please consult factory.

Construction

Skate wheel assemblies are 2" (5cm) diameter nylon wheels with low friction bushing for free movement. Wheels secured to frame with stainless steel bolts with stainless steel self-locking nuts. Wheels spaced on 3" (8cm) - 4" (10cm) centers removable for cleaning.

Rollers are 1.875" (5cm) O.D. grey PVC tubing with stainless steel ball bearings. Rollers mounted on stainless steel hex spring loaded shafts. The Roller conveyor will handle compartmental or divided trays as well as flat bottom trays.

Conveyor is supported by 1.625" (4cm) O.D. 16-gauge stainless steel tubular legs. Stainless steel tubing to fit into stainless steel sleeves welded to conveyor frame. Legs secured to sleeves with allen head set screws.

Stationary conveyors are provided with stainless steel bullet feet.

For both type conveyors, tray size must be known when unit is ordered to provide proper size cross member and end plates to accommodate tray.

Options

- Electric raceway
- Outlets
- Casters
- Field joint
- Movable over shelf

Note: Engineering data chart must be completed accurately for proper selection of receptacles and panel box.

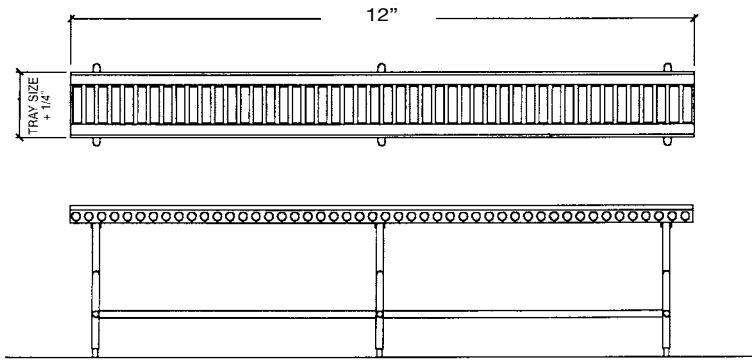
Warranty

One year parts and labor.

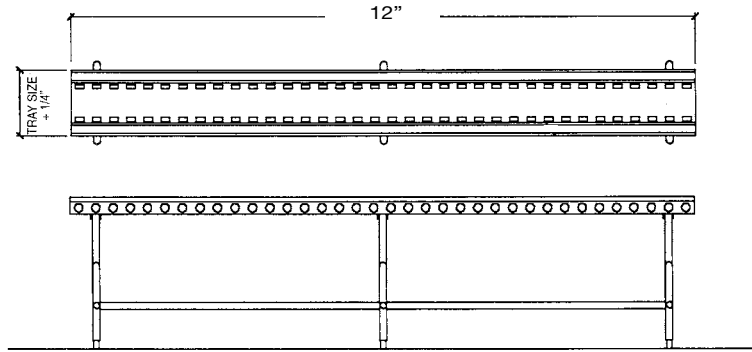
DINEX®

Building 2, Suite 106
628 Hebron Avenue
Glastonbury, CT 06033
800.523.9752 Fax: 860.652.3135
www.dinex.com

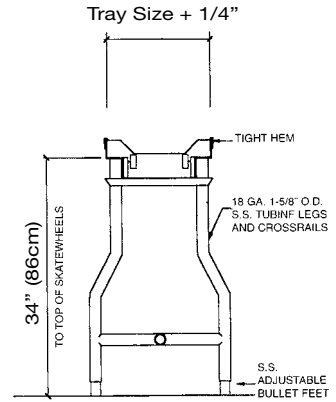
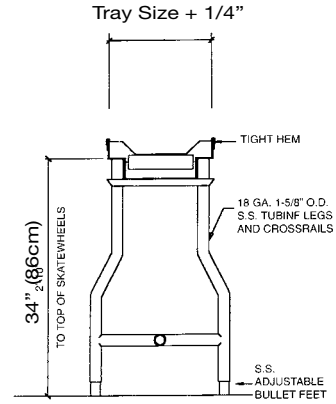
ROLLER & SKATE WHEEL CONVEYORS



Roller Conveyor



Skate Wheel Conveyor



Items and Dimensions - Skate Wheel Conveyors

| ITEM NUMBER | MODEL NUMBER | SIZE | SHIP WEIGHT |
|-------------|--------------|-----------------------------|-----------------|
| DXIESSW10 | IESSW10 | 10 ft. (3.05 meter) section | 200 lb. (91kg) |
| DXIESSW12 | IESSW12 | 12 ft. (3.6 meter) section | 240 lb. (109kg) |
| DXIESSW14 | IESSW14 | 14 ft. (4.3 meter) section | 280 lb. (127kg) |
| DXIESSW16 | IESSW16 | 16 ft. (4.9 meter) section | 320 lb. (145kg) |
| DXIESSW18 | IESSW18 | 18 ft. (5.5 meter) section | 360 lb. (163kg) |
| DXIESSW20 | IESSW20 | 20 ft. (6.1 meter) section | 400 lb. (181kg) |

Items and Dimensions - Roller Conveyors

| ITEM NUMBER | MODEL NUMBER | SIZE | SHIP WEIGHT |
|-------------|--------------|-----------------------------|-----------------|
| DXIESR10 | IESR10 | 10 ft. (3.05 meter) section | 200 lb. (91kg) |
| DXIESR12 | IESR12 | 12 ft. (3.6 meter) section | 240 lb. (109kg) |
| DXIESR14 | IESR14 | 14 ft. (4.3 meter) section | 280 lb. (127kg) |
| DXIESR16 | IESR16 | 16 ft. (4.9 meter) section | 320 lb. (145kg) |
| DXIESR18 | IESR18 | 18 ft. (5.5 meter) section | 360 lb. (163kg) |
| DXIESR20 | IESR20 | 20 ft. (6.1 meter) section | 400 lb. (181kg) |



Please confirm that you have the most current specification sheet by visiting www.dinex.com.
 Dinex® reserves the right to change specifications and product design without notice.
 Such revisions do not entitle the buyer to corresponding changes, improvements, additions or replacements for previously purchased equipment.



Building 2, Suite 106
 628 Hebron Avenue
 Glastonbury, CT 06033
 800.523.9752 Fax: 860.652.3135
www.dinex.com